



## CRIB ASSEMBLY INSTRUCTIONS (OLD SYSTEM)

### WARNING

FAILURE TO FOLLOW THESE WARNINGS AND ASSEMBLY INSTRUCTIONS CAN RESULT IN SERIOUS INJURY TO THE CHILD.

\*READ ALL INSTRUCTIONS BEFORE ASSEMBLING CRIB.

#### **KEEP INSTRUCTIONS FOR FUTURE USE.**

\*BEFORE EACH USAGE OR ASSEMBLY, INSPECT CRIB FOR DAMAGED HARDWARE, LOOSE JOINTS, MISSING PARTS OR SHARP EDGES.

**DO NOT** USE CRIB IF ANY PARTS ARE MISSING OR BROKEN. ASK YOUR DEALER OR WRITE TO RAGAZZI FOR REPLACEMENT PARTS AND INSTRUCTIONAL LITERATURE IF NEEDED.

**DO NOT** SUBSTITUTE PARTS.

**DO NOT** USE THIS CRIB FOR A CHILD WHO IS ABLE TO CLIMB OUT UNAIDED OR WHO IS TALLER THAN 35 INCHES (90 CM).

\***DO NOT** PLACE CORDS, STRAPS OR SIMILAR ITEMS THAT COULD BECOME WOUND AROUND A CHILD'S NECK IN OR NEAR THIS CRIB.

\*IF REFINISHING, USE NON-TOXIC FINISH SPECIFIED FOR CHILDREN'S PRODUCTS.

\***DO NOT** LEAVE CHILD IN CRIB WITH SIDE LOWERED. BE SURE SIDE IS IN RAISED AND LOCKED POSITION WHENEVER CHILD IS IN CRIB.

\*WHEN CHILD IS ABLE TO STAND IN CRIB, SET MATTRESS TO LOWEST POSITION AND REMOVE BUMPER PADS, LARGE TOYS AND OTHER OBJECTS THAT COULD SERVE AS STEPS FOR CLIMBING OUT.

\*NEVER USE PLASTIC SHIPPING BAGS OR OTHER PLASTIC FILM AS MATTRESS COVERS BECAUSE THEY CAN CAUSE SUFFOCATION.

\***DO NOT** USE WATER MATTRESS WITH THIS CRIB.

\*REPLACE TEETHING RAIL IF DAMAGED OR LOOSE.

\***CAUTION:** ANY MATTRESS USED IN THIS CRIB MUST BE AT LEAST 27-1/4 INCHES BY 51-3/8 INCHES WITH A THICKNESS NOT EXCEEDING 6 INCHES.

#### **IMPORTANT**

PARENTS SHOULD ENSURE A SAFE ENVIRONMENT FOR THE CHILD BY CHECKING REGULARLY, BEFORE PLACING THE CHILD IN THE CRIB, THAT EVERY COMPONENT IS PROPERLY AND SECURELY IN PLACE.

## **CRIB ASSEMBLY (SEE DIAGRAM )**

### **CONTENTS:**

2 end panels (headboard + footboard) (A), with 2 top long plastic glides (a)  
and 2 bottom metal glides (b);  
1 stationary side rail (B);  
1 drop side rail (C), with 2 top plastic guides (c)  
and 2 bottom locking mechanisms (d);  
1 mattress support (D);  
6 brass bolts;  
1 Allan key;  
4 hexagon bolts 1/2";  
8 metal washers (if required);  
1 stabilizer bar (available only for certain models) (E).  
2 metal pins

**STEP 1** Attach the stationary side rail (B) to end panels (A) with four brass bolts.  
Use Allan key provided.

**STEP 2** Attach the mattress support (D) to end panels (A) at desired position with the four  
1/2" hexagon bolts.  
To change the position of mattress support (D), unscrew the four 1/2"  
hexagon bolts, line up mattress support (D) with holes at desired position and  
reattach it with the 1/2" hexagon bolts.

**STEP 2.1** (Applicable only for certain models). Attach the stabilizer bar (E) to end panels (A)  
by placing the metal pins in upper holes of bar and inserting in upper holes of ends.  
Secure bar using two brass bolts in lower holes of bar and end panels.

### **NOTE:**

**THE MATTRESS SUPPORT SHOULD BE AT THE HIGHER LEVEL WHEN CHILD IS  
BORN. IT SHOULD BE AT THE LOWER LEVEL BEFORE CHILD CAN STAND UP.**

### **STEP 3** **INSTALLATION OF DROP SIDE (C) (see diagram)**

Lay crib on its side, on the ground;  
Remove rubber stoppers at bottom of metal glides (b) found on end panel (A);  
Slide drop side rail (C) in tracks all the way up;  
Re-insert the rubber stoppers on bottom metal glides (b);  
Be sure to tighten properly.

### **STEP 4** **CASTERS:**

Slip the four casters into inserts located inside holes of end panel (A). Press firmly  
to lock in place.

## **DROP SIDE OPERATING INSTRUCTIONS:**

After the crib is assembled: raise the drop side to the upper or closed position.

**TO LOWER:** Hold the center of the upper rail of the drop side with one hand. Raise the drop side (C) until it stops. With the drop side (C) held in this position, press against the bottom rail of the drop side (C) with your leg at the point marked "PUSH" on the plastic plate. Then lower the drop side (C) until it connects with the rubber stopper on the bottom metal glides (b).

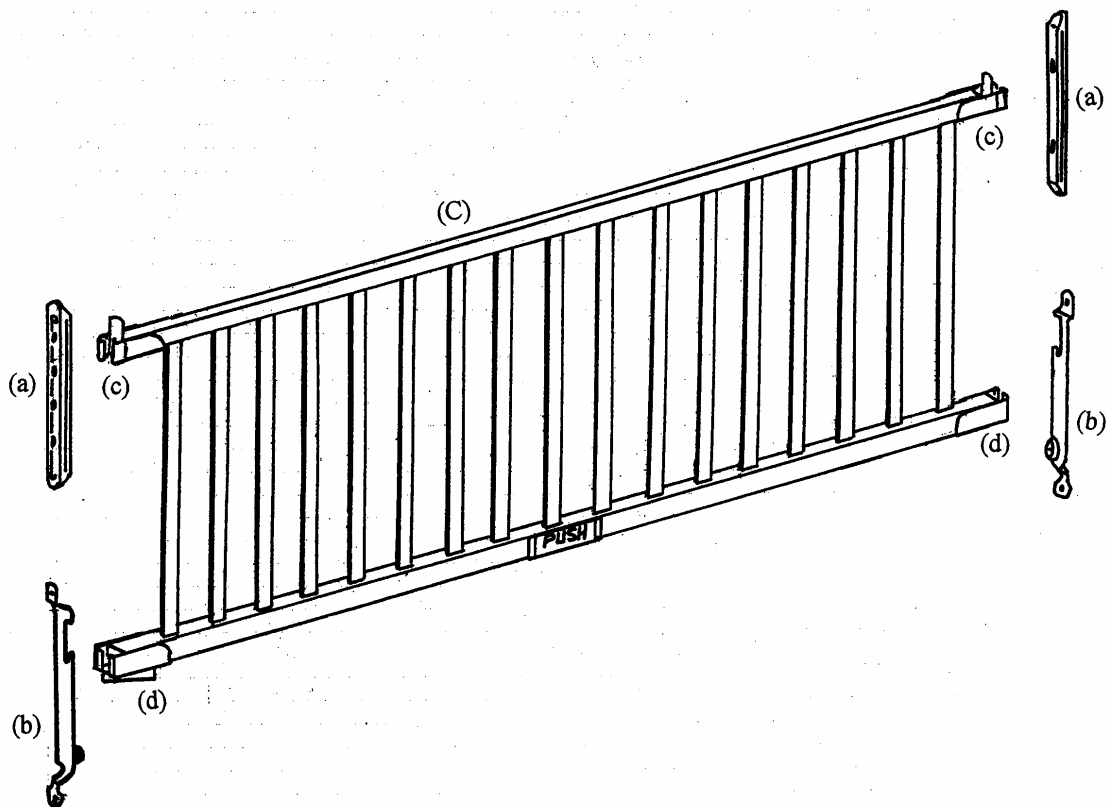
**TO RAISE:** Hold the center of the upper rail of the drop side with one hand. Lift the rail until drop side bottom locking mechanisms (d) snap in place.  
Crib drop side rail (C) is now closed and locked in place.

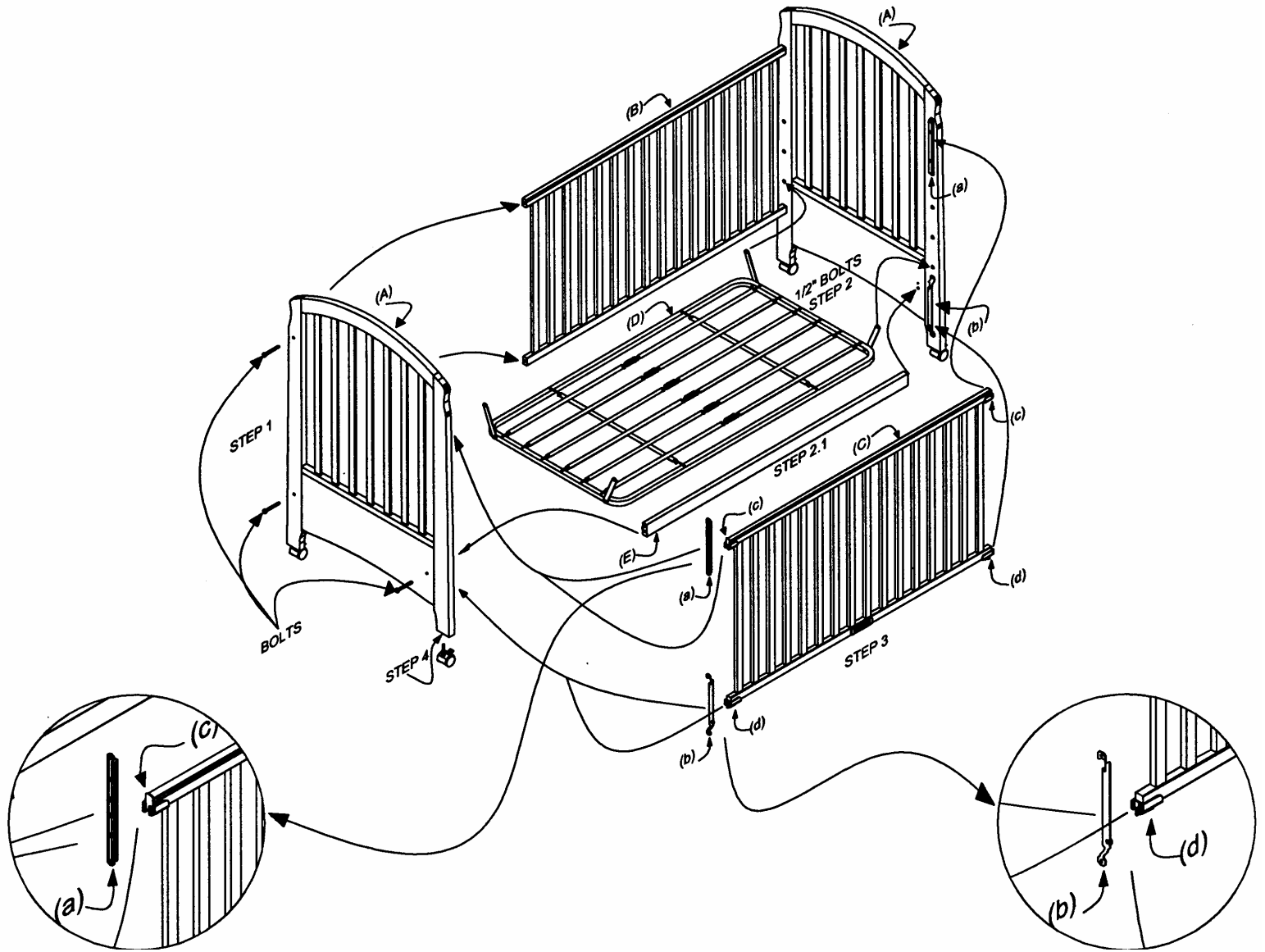
## **ADDENDUM:**

Metal washers are to be used on crib only if there is a tension in the crib drop side rail (C).

## **TO RELIEVE TENSION:**

- 1) Remove drop side rail (C);
- 2a) WHEN TENSION IS PUSHING OUTWARD:  
Place metal washers between bottom metal glides (b) and headboard and footboard (A);
- 2b) WHEN TENSION IS PULLING INWARD:  
Place metal washers between stabilizer bar (E) and headboard and footboard (A);
- 3) Re-install drop side rail (C)





## **DAY BED INSTRUCTIONS**

- 1 - Remove drop side rail ( C ) as follow:  
Lay crib down on its stationary side rail.  
Remove rubber stoppers at bottom of metal glides (b) found on end panels (A)  
Slide drop rail (C) down the tracks.
- 2 - Re-insert the rubber stoppers on the bottom metal glides (b)
- 3 - Remove the plastic and metal glides (a & b) from end panels (A)
- 4 - Ensure that the mattress support (D) is in the lowest position.
- 5 - For safety reasons, stabilizer bar (E) must be installed in order for crib to be used as a day bed.