



Woodland Student Loft Bed Natural & White

page 1 of 8

ITEM # 36020L(A,B,C,D,G), 37020L(A,B,C,D,G), 38020L(A,B,C,D,G)
Adult assembly required. For ages six and up.

NOTE: Bottom Bed is #36020(E,F), #37020(E,F), Assembly Instructions are in with hardware for Box #36020E, #37020E

Enclosed please find simple step-by-step instructions to help you quickly assemble your product. Before you begin we recommend that you follow the steps below:

1. Please read the instructions thoroughly
2. Identify all parts and hardware, and
3. Gather the tool(s) necessary

To protect your parts during assembly please place them on a soft surface. To clean surface use only water on a damp cloth. Do not use window cleaners or cleaning abrasives as it will scratch the surface and could damage the protective coating.

CUSTOMER SUPPORT

If you are missing parts or need assistance with your product, please contact the retailer from whom you purchased the product.

When you call or email, please include the Product's Item Number and PO Number which is located on the Production Tracking Sticker. This sticker can be found on the bottom, inside or back of your product.

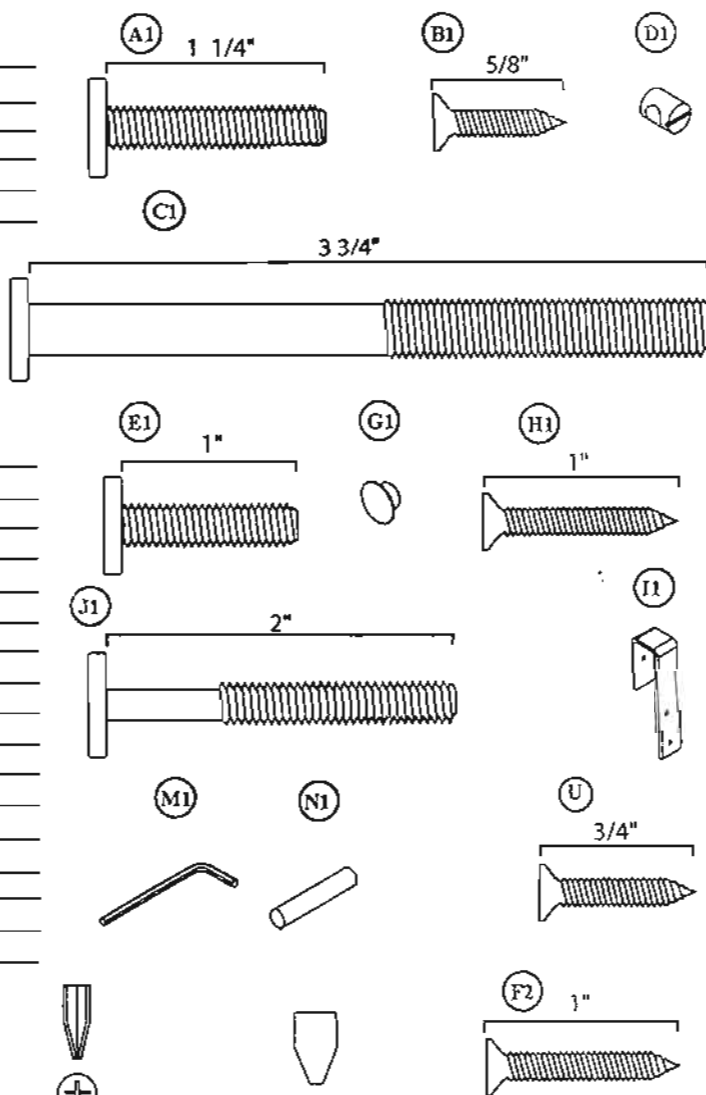
Furniture Basics Inc.
925 S. Azusa Ave City Of Industry, CA 91748

Item # _____ PO # _____
 Manufacture Date: (M) _____ (Y) _____
 Country of Origin _____

PARTS LIST

REF.	PART NAME	QUANTITY
A ₁	Desk Drawer Frame	1
B	Desk Top	1
C	Desk Hutch Side Panel Left	1
D	Desk Hutch Side Panel Right	1
E	Desk Hutch Top Panel	1
F	Desk Back Panel (Lower with Strips)	1
F1	Desk Back Panel (Upper with Strips)	1
G	5 Drawer Chest Hutch Side Panel	1
H	5 Drawer Chest Hutch Shelf	2
I	5 Drawer Chest Frame	1
J	5 Drawer Chest Hutch Top Panel	1
L	Upper Headboard	2
M	Side Rail	2
N	Slat Roll	1
O	Long Guardrail	1
P	Short Guardrail	1
Q	Ladder	1
A1	Bolts (M6x1 1/4")	23
B1	5/8" Wood Screws	28
C1	Long Bolts 3-3/4"	8
D1	Barrel Nuts	8
E1	Bolts (M6x1") (Guardrail)	8
G1	Wood Caps	16
H1	Wood Screws 1"	32
I1	Ladder Hooks	2
J1	Bolts (M6x2")	8
M1	Allen Wrench (4mm)	1
N1	Wood Dowels (attached on the panels)	30
U	3/4" Wood Screws	8
F2	1" Screws	2

HARDWARE AND TOOLS

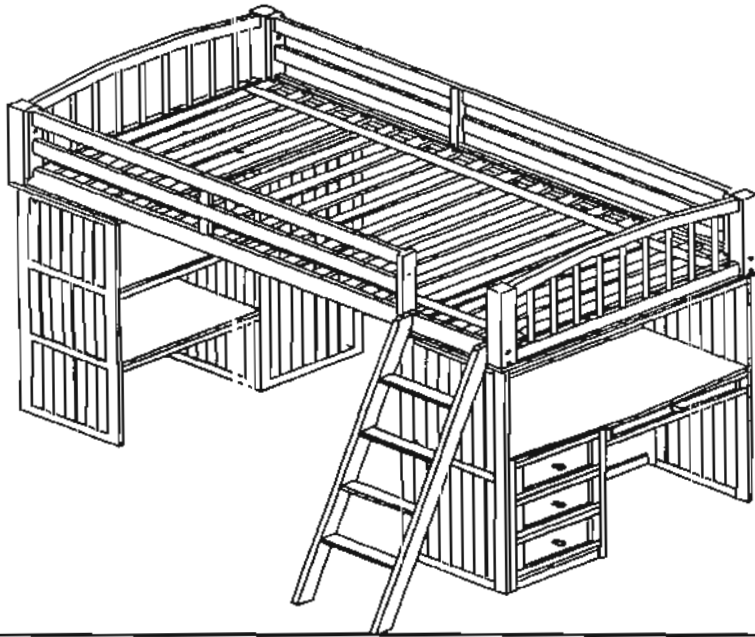


Note:

Do not use wood caps if you have a child under the age of 6 in the house.

Note: You will also need a Phillips Screwdriver (not included)

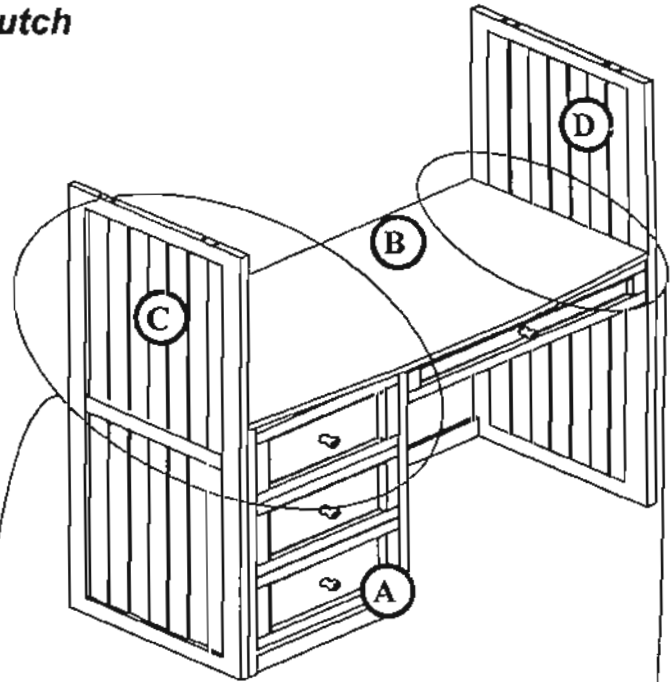
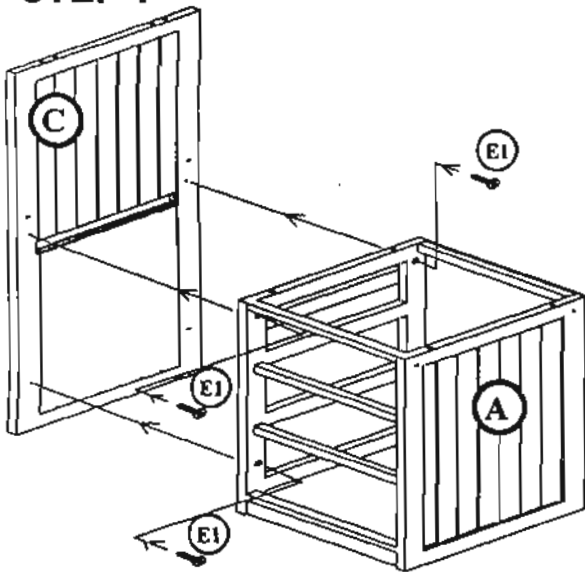
Note: You will need a flathead screwdriver to properly orientate the barrel nuts during assembly



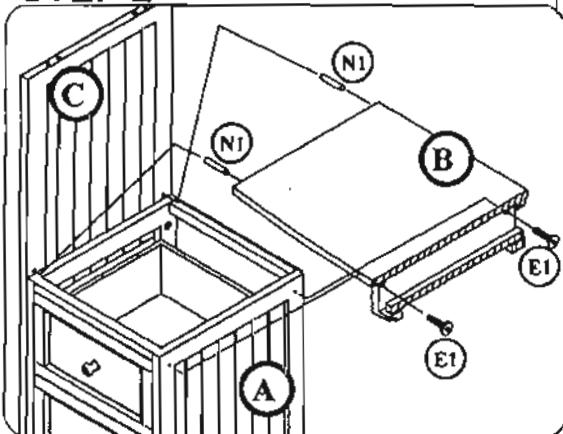
Finished Fully Assembled Loft Bed

Assembly Instructions for Desk & Hutch

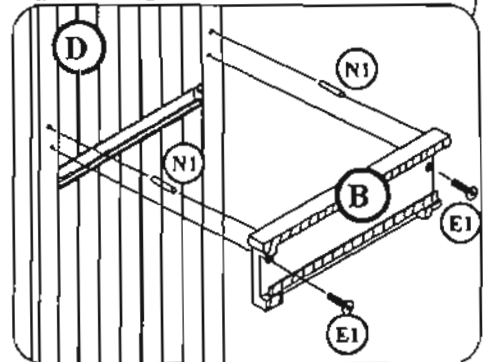
STEP 1



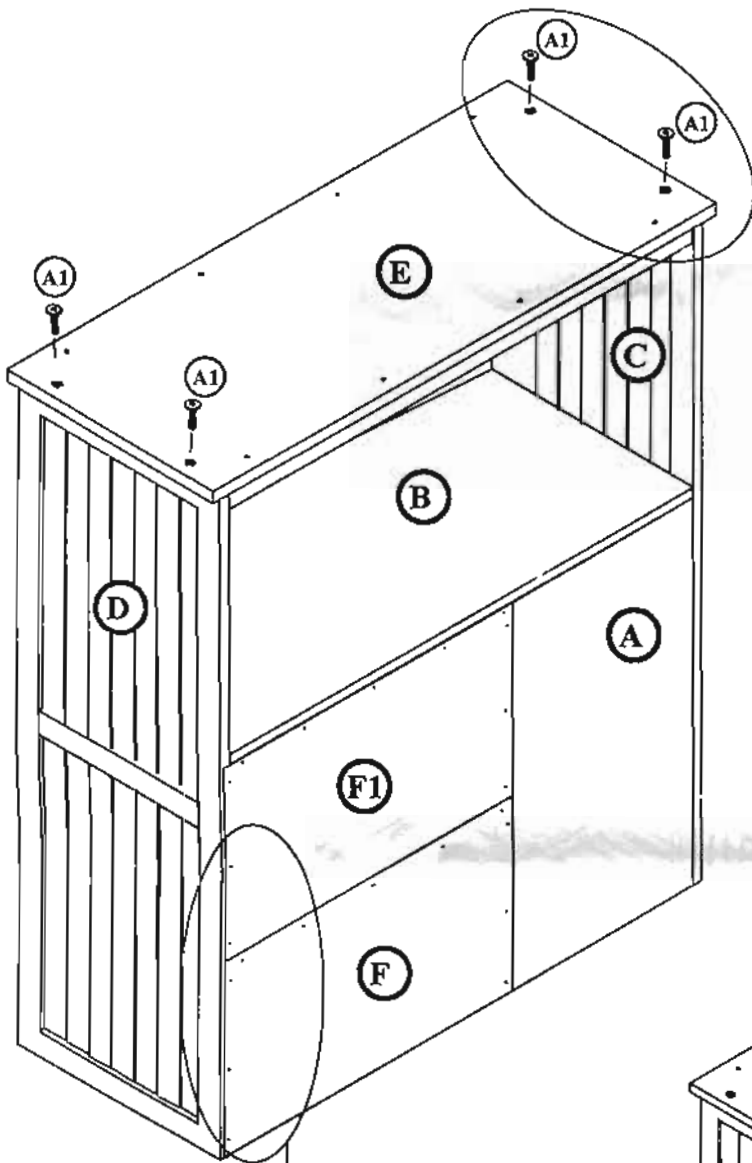
STEP 2



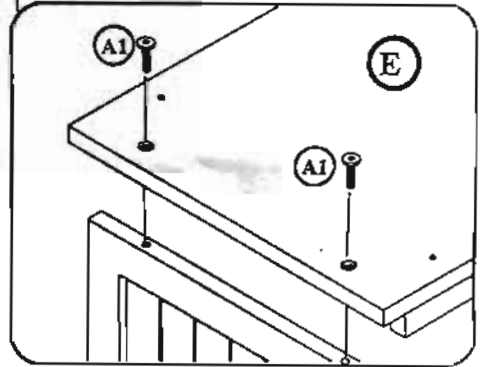
STEP 3



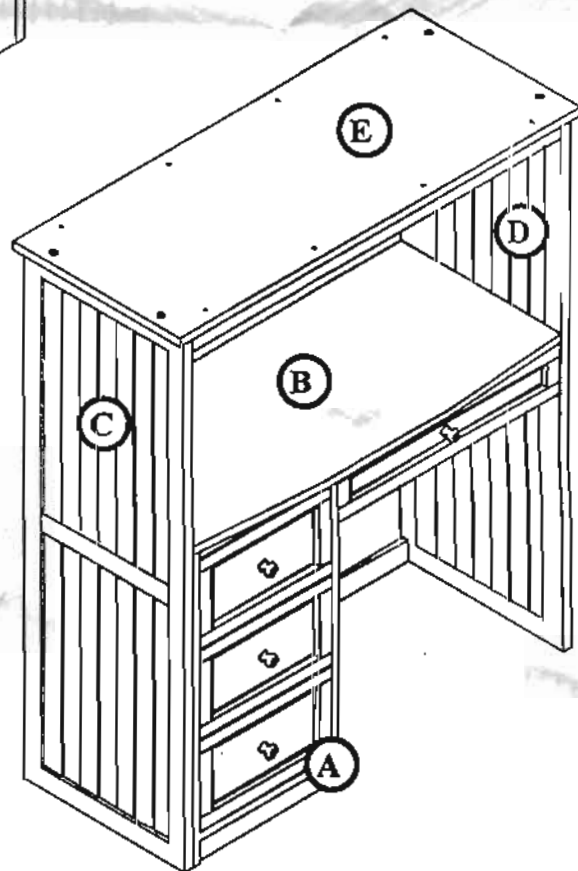
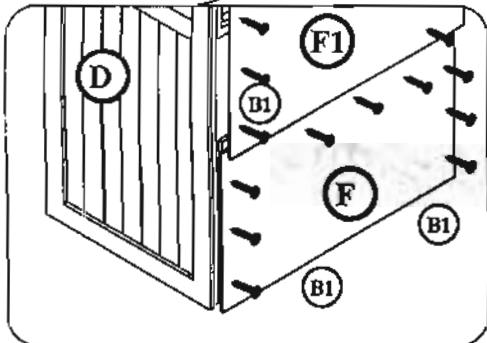
PRINTED IN CHINA



STEP 4



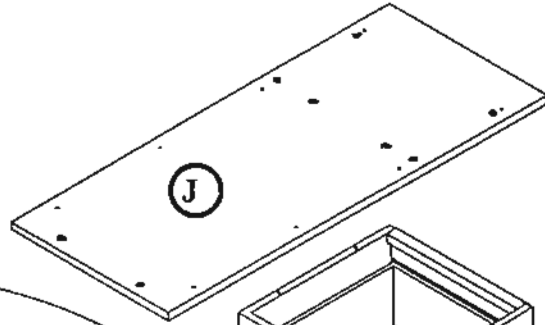
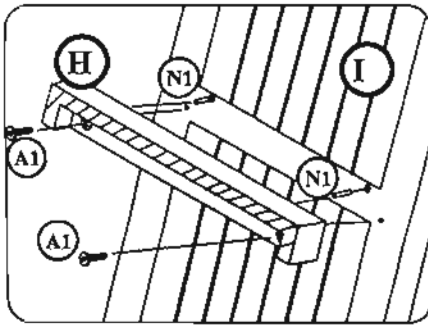
STEP 5



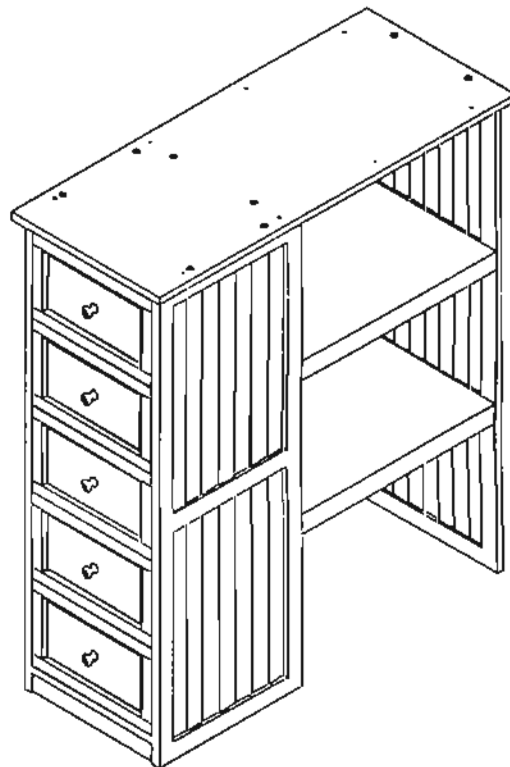
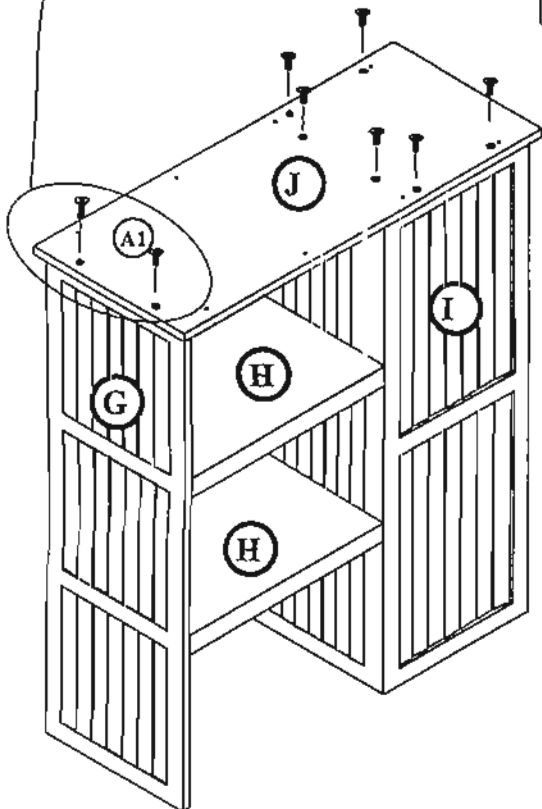
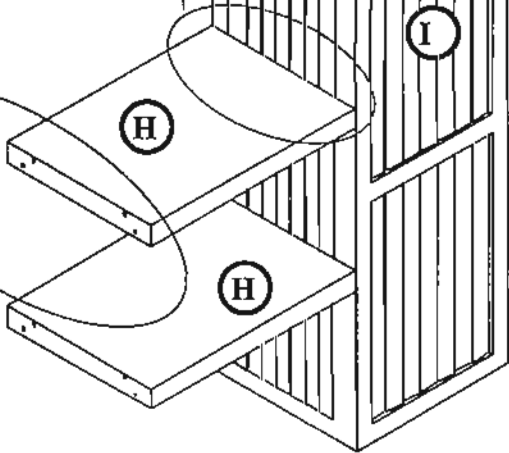
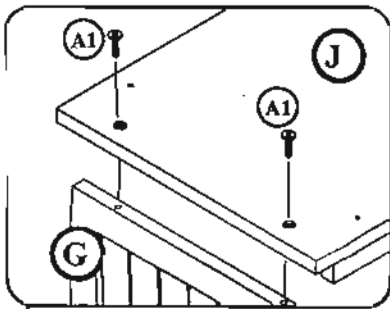
*Finished Fully Assembled
Desk & Hutch*

PRINTED IN CHINA

STEP 1



STEP 2



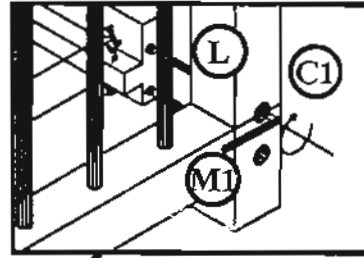
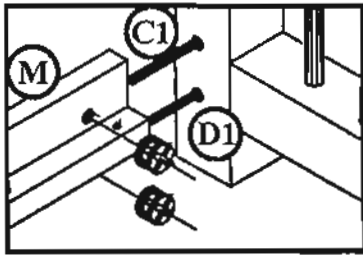
Finished Fully Assembled
5 Drawer Chest & Hutch

Assembly Instructions for
Upper Bed & Loft

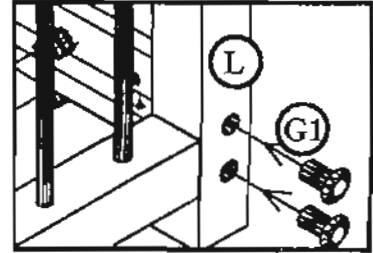
STEP 2

page 5 of 8

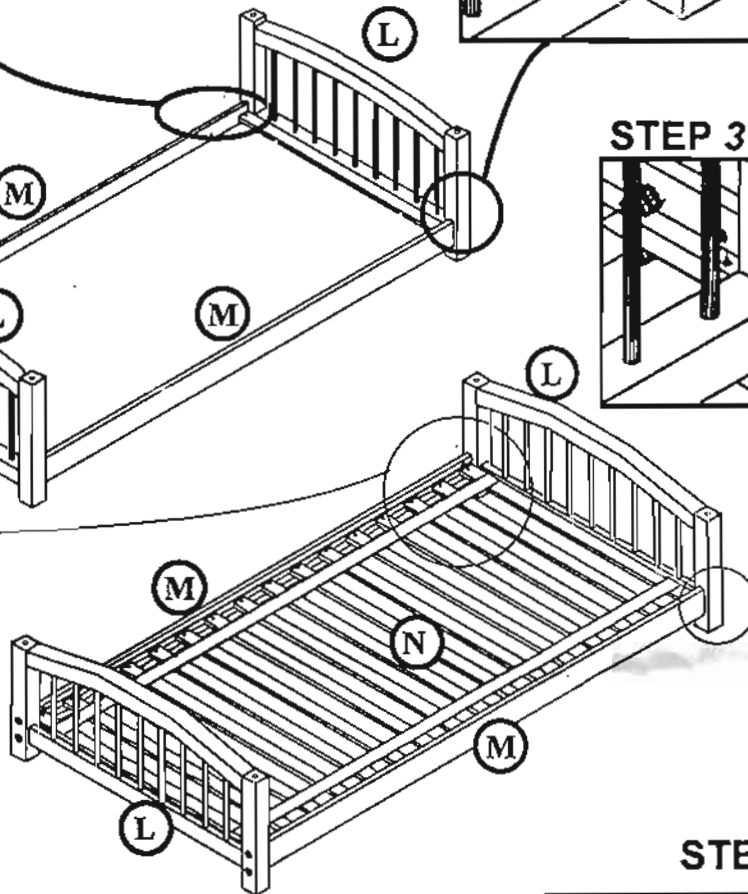
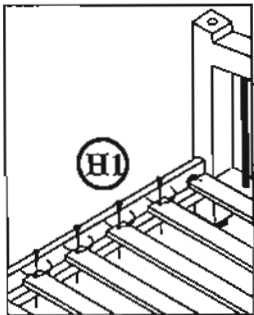
STEP 1



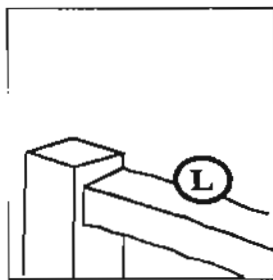
STEP 3



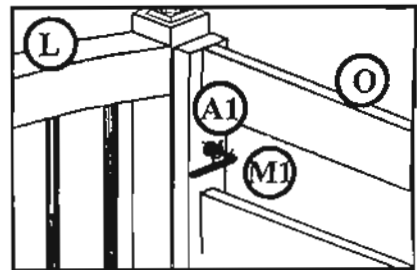
STEP 4



STEP 5



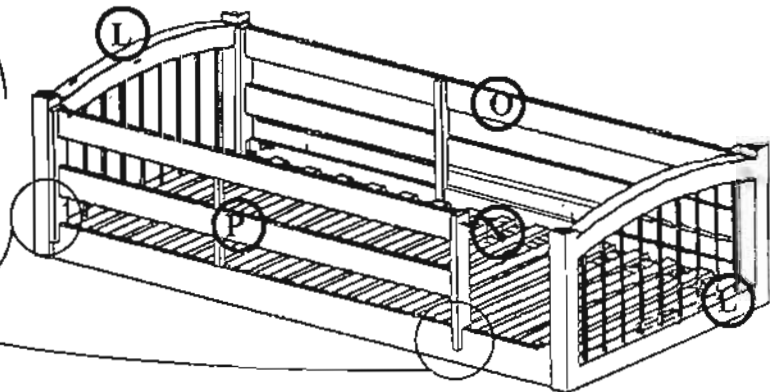
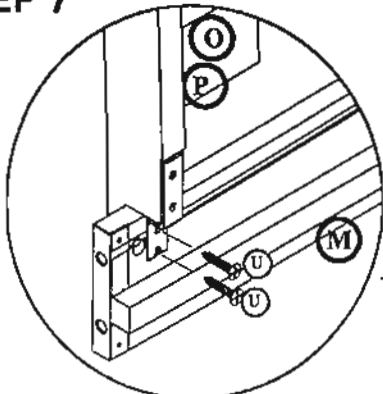
STEP 6



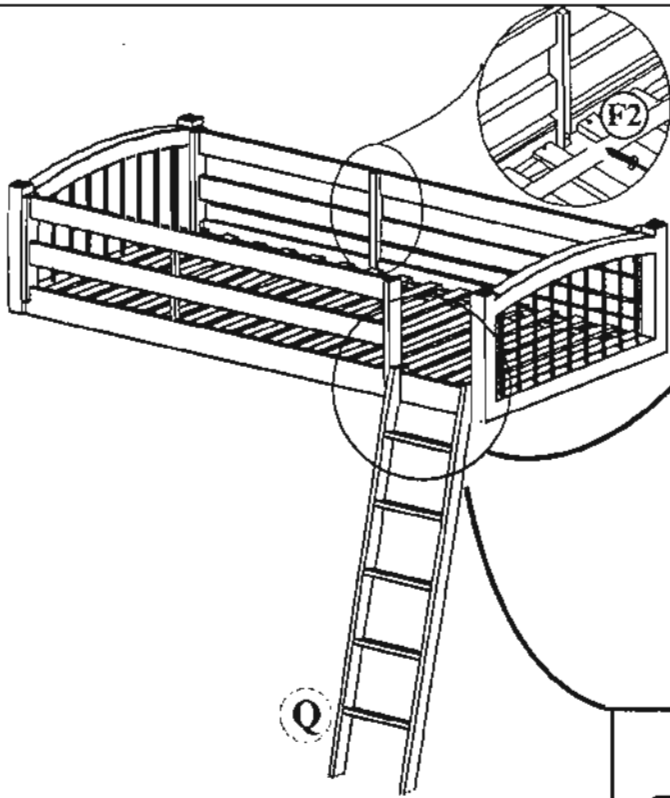
⚠ WARNING

To help prevent serious or fatal injuries **SCREW BOTH SIDES OF EACH SLAT TO THE SLAT ROLL SUPPORT.** Failure to do so could result in the collapse of the entire slat roll.

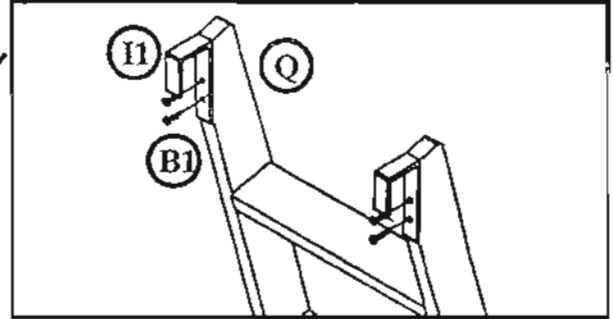
STEP 7



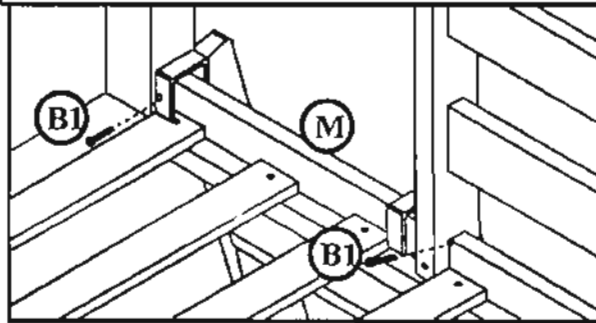
PRINTED IN CHINA



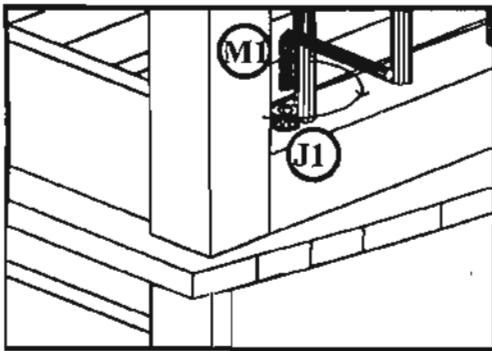
STEP 8



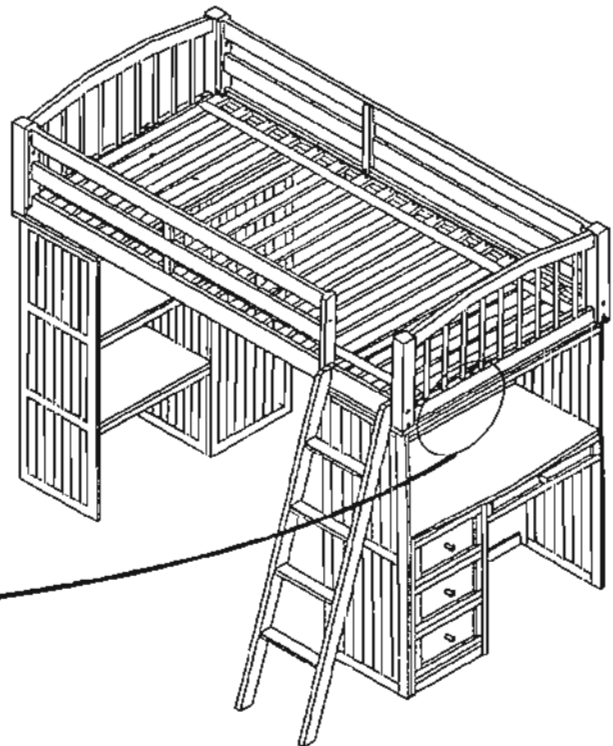
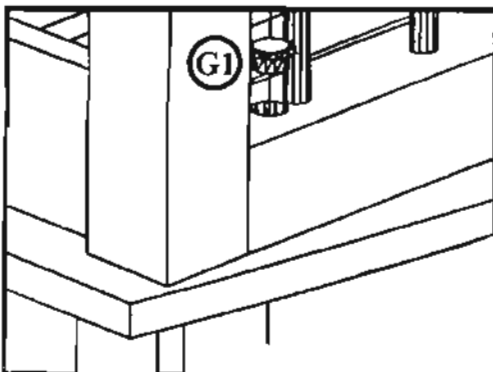
STEP 9



STEP 10



STEP 11



PRINTED IN CHINA

MATTRESS SIZE.

Twin mattress 74"-75" long and 37.5" - 38.5" wide and no more than 8" thick.

- Follow the information on the warnings appearing on the upper bunk end structure and on the carton. Do not remove warning label from bed
- Periodically check and ensure that the guardrails, ladder, and other components are in their proper position, free from damage, and that all connectors are tight.
- Follow the information on the warnings appearing on the upper bunk end structure and on the carton. Do not remove warning label from bed.
- Always use the recommended size mattress or mattress support, or both, to help prevent the likelihood of entrapment or falls.
- Surface of mattress must be at least 5in. (127mm) below the upper edge of guardrails.
- Do not allow horseplay on or under the bed and prohibit jumping on the bed.
- Always use the ladder for entering and leaving the upper bunk.
- Do not use substitute parts. Contact the manufacturer or dealer for replacement parts.
- Use of night light may provide added safety precaution for child using the upper bunk.
- The use of water or sleep flotation mattresses is prohibited.
- To prevent entrapment between the bed and wall always use guardrails on both sides of the upper bunk. If the bunk bed will be placed next to the wall, the guardrail that runs the full length of the bed should be placed against the wall to prevent entrapment between the bed and wall

Keep these instructions for future reference.

⚠ WARNING

To help prevent serious or fatal injuries from entrapment or falls:

- Never allow a child under 6 years on upper bunk.
- Use only mattress which is 74"-75" long and 37 1/2" - 38 1/2" wide on upper bunk.
- Ensure thickness of mattress does not exceed 8" and mattress is at least 5" below upper edge of guardrails.
- Use guardrails on both sides of upper bunk.
- Prohibit horseplay on or under bed(s).
- Prohibit more than one person on upper bunk.
- Use ladder for entering and leaving upper bunk.

STRANGULATION HAZARD - Never attach or hang items to any part of the bunk bed that are not designed for use with the bed; for example, but not limited to, hooks, belts, and jumpropes.

DO NOT REMOVE THIS LABEL

NOTE: Do not use wood plugs if you have a child under the age of 6 in the house.

PRINTED IN CHINA

Care Instructions

A lacquer finish is used on this furniture to protect the wood. It is not waterproof, clean spills immediately. Dust using a slightly damp cloth, making sure no standing water is left on the furniture. DO NOT use any household cleaners, citrus-based polishes, wood soaps, or oils; they can break down the natural lacquer finish.

Do not place furniture in direct sunlight. Natural solid wood furniture will naturally color as it ages, however, direct sunlight dramatically speeds up the process.

Grain streaks and mineral deposits are a natural part of solid wood. They are not defects and are part of the beauty on natural wood furniture.

Solid wood naturally expands and contracts. In high humidity you may find that drawers can stick slightly. This will correct itself, and is not reason for concern.

If you place objects such as lamps or plants on your case pieces make sure to move them from time to time. There may be a slight discoloration where the object was. However, by exposing it to light the color will catch up to the rest of the case.

Do not place furniture over heating or cooling vents. Dramatic changes in temperature can cause the wood to split.

Plastic or foam footed items such as phones or clocks can damage this finish, use trivets under such items.



**Woodland Student Loft Bed
Natural & White**

ITEM # 36020L (E,F) , #37020L(E,F) , #38020L(E,F) (Bottom Bed)

Adult assembly required. For ages six and up.

Note: Upper Bed and Drawer Chest and Desk Unit are #36020(A,B,C,D,G)
#37020(A,B,C,D,G), Assembly Instructions are in with hardware for Box
#36020A, #37020A

Enclosed please find simple step-by-step instructions to help you quickly assemble your product. Before you begin we recommend that you follow the steps below:

1. Please read the instructions thoroughly
2. Identify all parts and hardware, and
3. Gather the tool(s) necessary

To protect your parts during assembly please place them on a soft surface. To clean surface use only water on a damp cloth. Do not use window cleaners or cleaning abrasives as it will scratch the surface and could damage the protective coating.

CUSTOMER SUPPORT

If you are missing parts or need assistance with your product, please contact the retailer from whom you purchased the product.

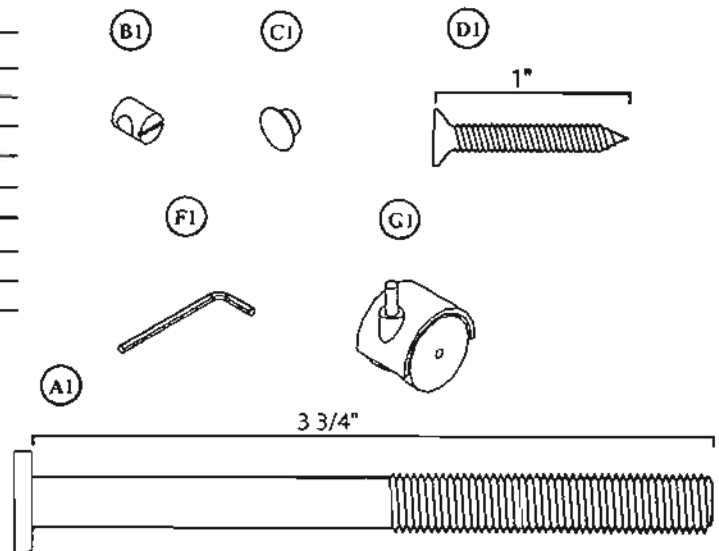
When you call or email, please include the Product's Item Number and PO Number which is located on the Production Tracking Sticker. This sticker can be found on the bottom, inside or back of your product.

Furniture Basics Inc. 925 S. Azusa Ave City Of Industry, CA 91748	
Item #: _____	PO #: _____
Manufacture Date: (M) _____ (Y) _____	
Country of Origin _____	


PARTS LIST

REF.	PART NAME	QUANTITY
A.	Bottom Headboard	2
B.	Slat Roll	1
C.	Side Rail	2
A1.	Long Bolt 3 3/4"	8
B1.	Barrel Nut	8
C1.	Wood Caps	8
D1.	Wood Screw 1"	32
F1.	Allen Wrench	1
G1.	Caster	4

HARDWARE AND TOOLS DIAGRAM




Note: You will also need a Phillips Screwdriver (not included)



Note: You will need a flathead screwdriver to properly orientate the barrel nuts during assembly

Note: Do not use wood caps if you have a child under the age of 6 in the house.

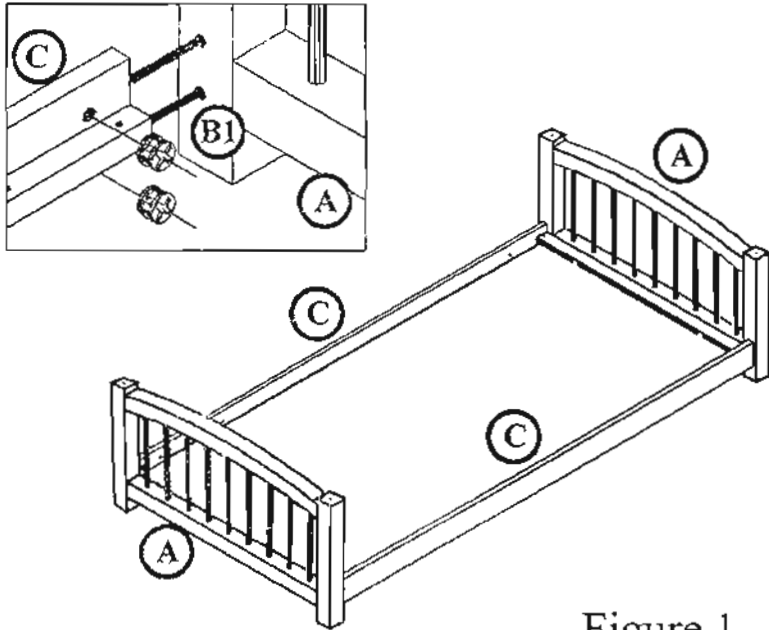
ASSEMBLY INSTRUCTIONS FOR #30020E,F BOTTOM BED

(See Figure 1 and Figure 2)

- Step 1. Insert the barrel nuts (B1) into the holes in the inside of the side rails (C) with the slot for the screwdriver facing out as shown in the diagram.
- Step 2. Attach the side rails (C) to the headboard (A). Make sure that the large counter-bored holes are facing to the outside. Insert the bolts (A1) through to two counter-bored holes in a leg of the headboard and into the barrel nuts (B1) in the end of the side rails (C). Attach both side rails (C) to one end and then repeat for the other side. Do not tighten the joint connector bolts completely until all hardware is in place.
- Step 3. After all the bolts (A1) are tightened then attach wood caps (C1) into the bolt holes.
- Step 4. Place slat roll (B) on top of the wooden cleat and secure using the wood screws (D1). Keep the slat roll (B) together. Place the slat roll (B) between the side rails (C) and on the wooden cleat with the webbing on the top.
- Step 5. Attach the 4 casters (G1) to the leg of the bottom headboards.
- Step 6. Attach the 4 Finials (D) to the post of the headboards.

Assembly Instructions for
Bottom Bed

STEP 1



STEP 2

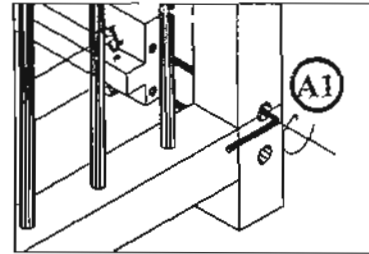
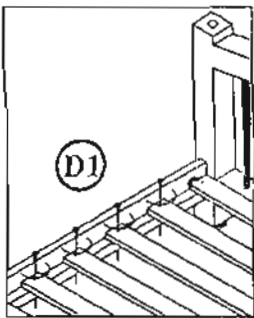


Figure 1

STEP 4



STEP 3

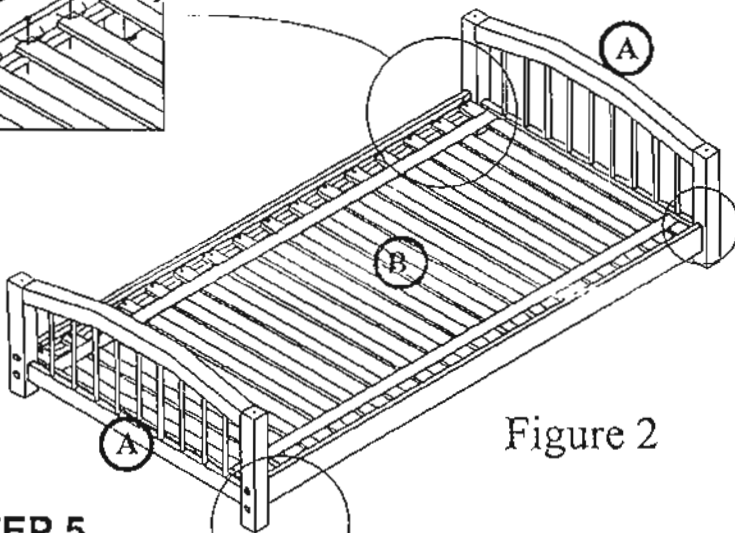
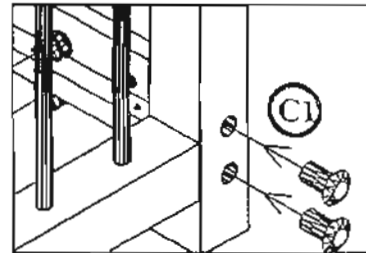
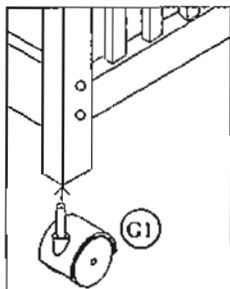


Figure 2

STEP 5



⚠ WARNING
To help prevent serious or fatal injuries **SCREW BOTH SIDES OF EACH SLAT TO THE SLAT ROLL SUPPORT.** Failure to do so could result in the collapse of the entire slat roll.