



## Woodland Trundle Natural & White

ITEM: #36006, #37006, #38006

Adult assembly required. For ages six and up.

Enclosed please find simple step-by-step instructions to help you quickly assemble your product. Before you begin we recommend that you follow the steps below:

1. Please read the instructions thoroughly
2. Identify all parts and hardware, and
3. Gather the tool(s) necessary

To protect your parts during assembly please place them on a soft surface. To clean surface use only water on a damp cloth. Do not use window cleaners or cleaning abrasives as it will scratch the surface and could damage the protective coating.

### CUSTOMER SUPPORT

If you are missing parts or need assistance with your product, please contact the retailer from whom you purchased the product.

When you call or email, please include the Product's Item Number and PO Number which is located on the Production Tracking Sticker. This sticker can be found on the bottom, inside or back of your product.

**Furniture Basics Inc.**  
925 S. Azusa Ave City Of Industry, CA 91748

Item #: \_\_\_\_\_ PO #: \_\_\_\_\_

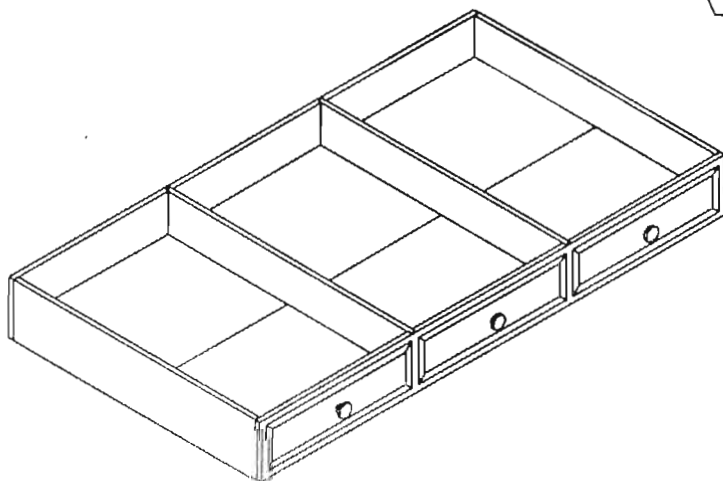
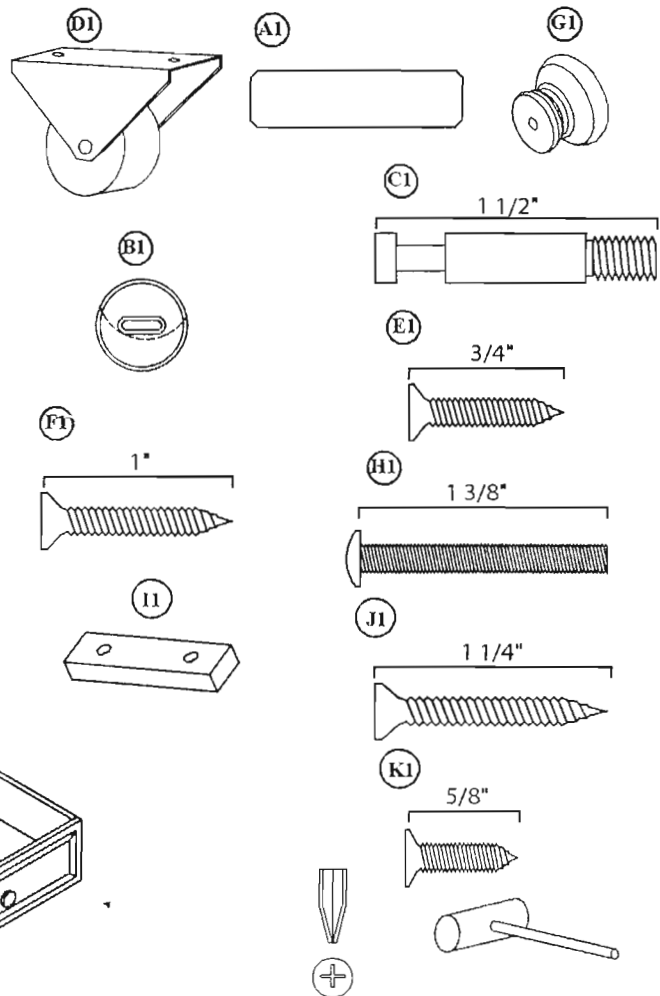
Manufacture Date: (M) \_\_\_\_\_ (Y) \_\_\_\_\_

Country of Origin \_\_\_\_\_

### PARTS LIST

REF.	PART NAME	QUANTITY
A.	Back Panel	1
B.	Front Panel	1
C.	Side Panels	2
D.	Removable Center Panels	2
E.	Cross Slats	5
F.	Bottom Panels	2
A1.	Wooden Dowels 8x40mm	8
B1.	Cam Locks	8
C1.	Cam Rods 1 1/2"	8
D1.	Casters	4
E1.	Short Screws (for Casters) 3/4"	8
F1.	Wood Screws (for Cross Slats) 1"	10
G1.	Knobs	3
H1.	Knob Bolts (5/32"x1 3/8")	3
I1.	Wood Blocks	4
J1.	Long Wood Screws 1 1/4"	8
K1.	Short Wood Screws 5/8"	30

### HARDWARE AND TOOLS DIAGRAM



Note: You will also need a Phillips Screwdriver and a hammer (not included)

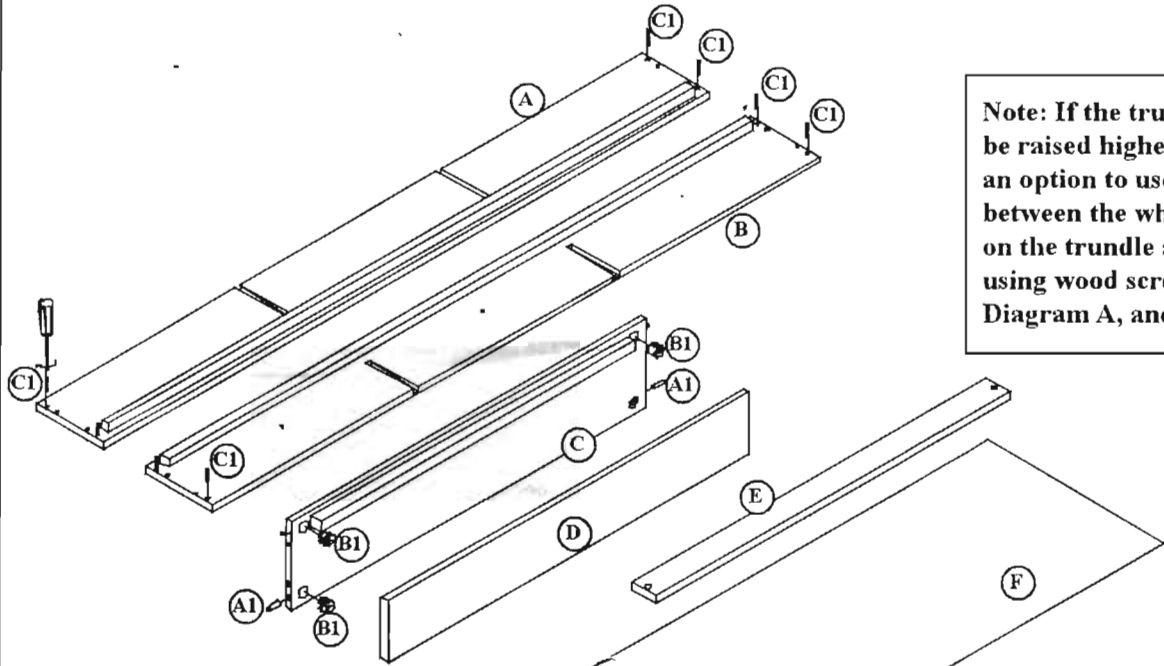


Figure 1

Note: If the trundle needs to be raised higher you also have an option to use block (I1) between the wheels and cleats on the trundle and secure by using wood screws (J1). See Diagram A, and B.

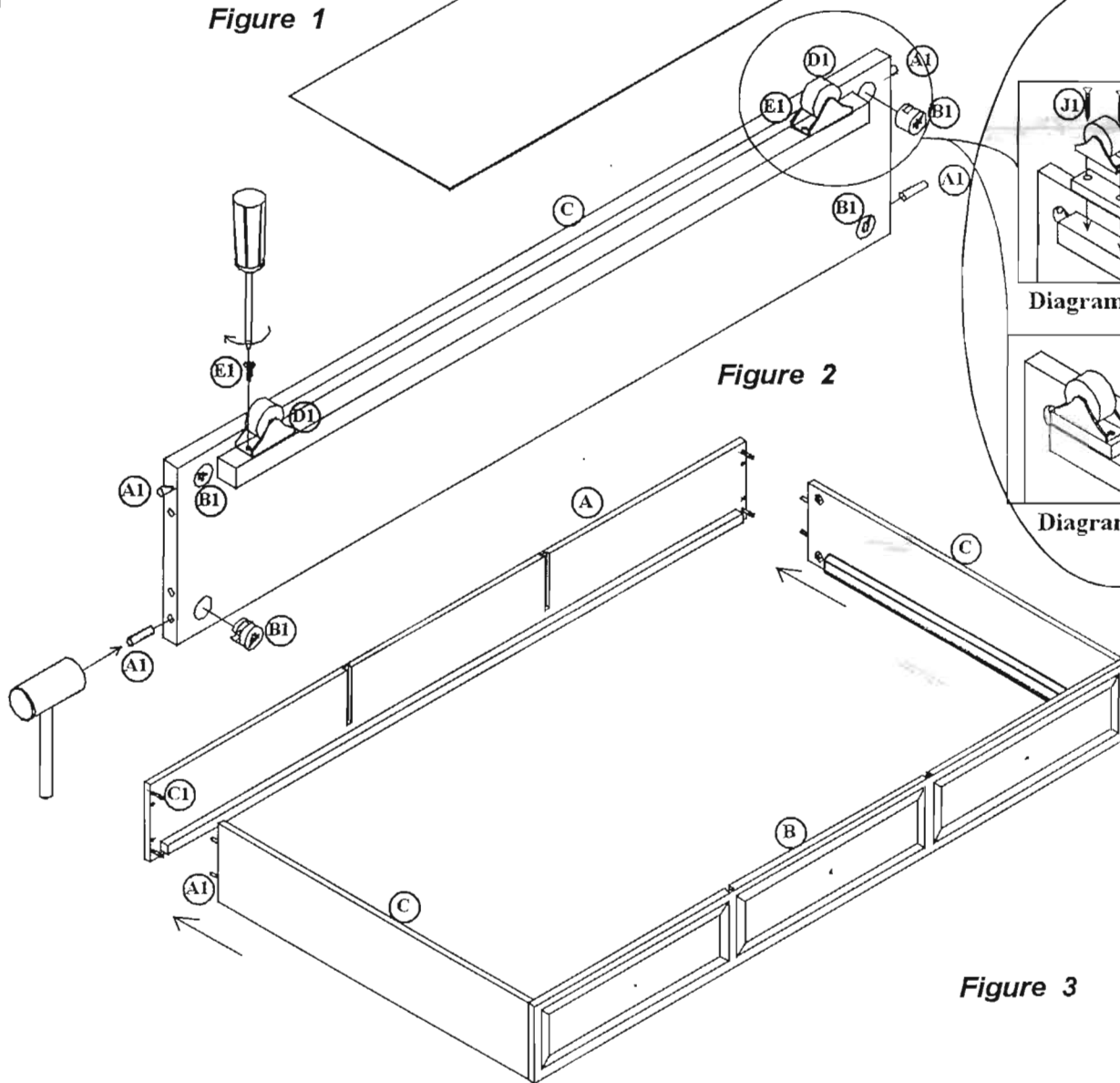


Figure 2

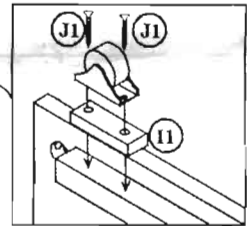


Diagram A

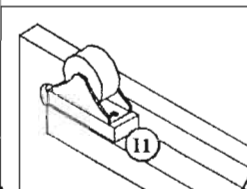


Diagram B

Figure 3

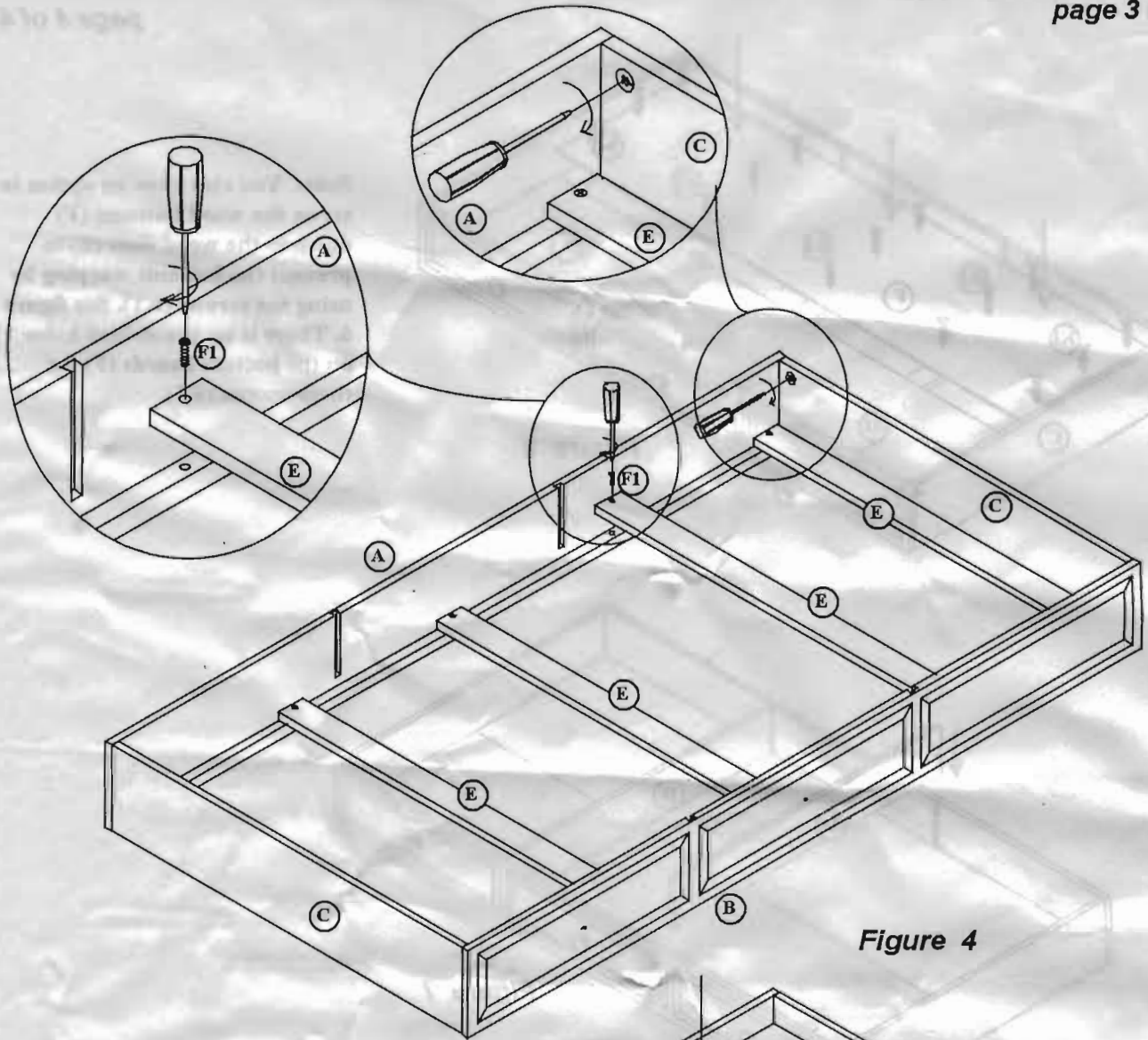


Figure 4

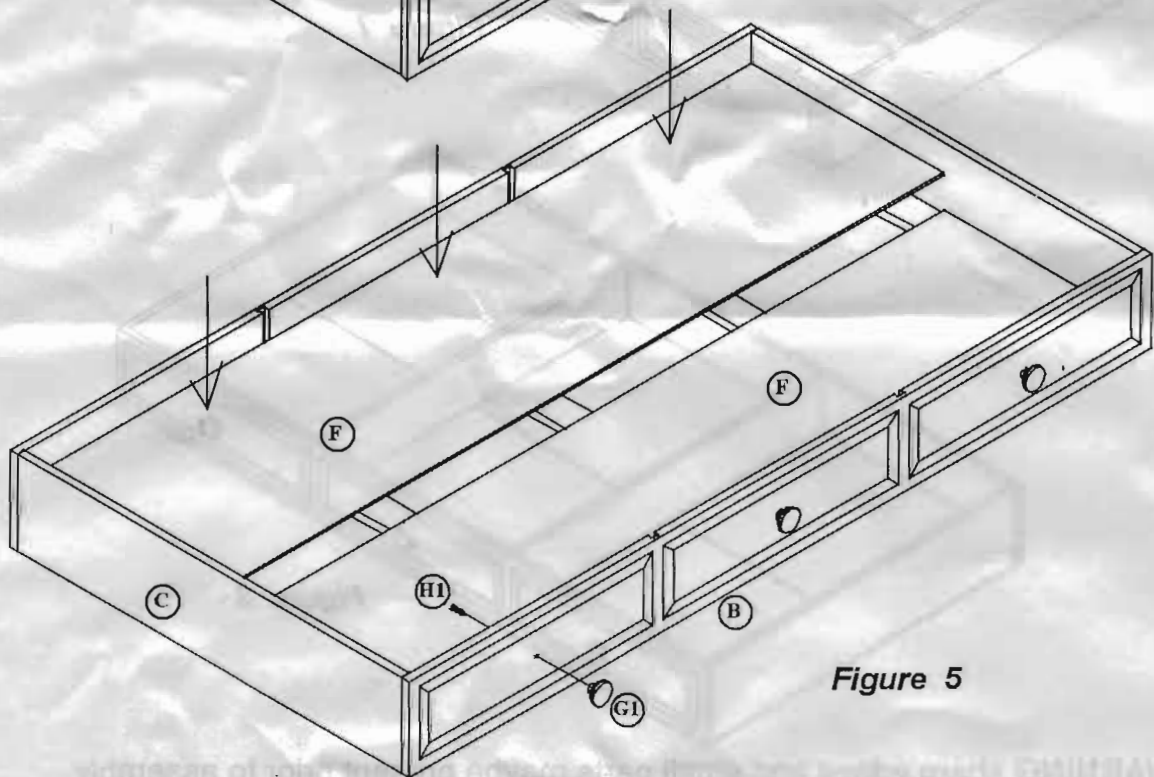


Figure 5

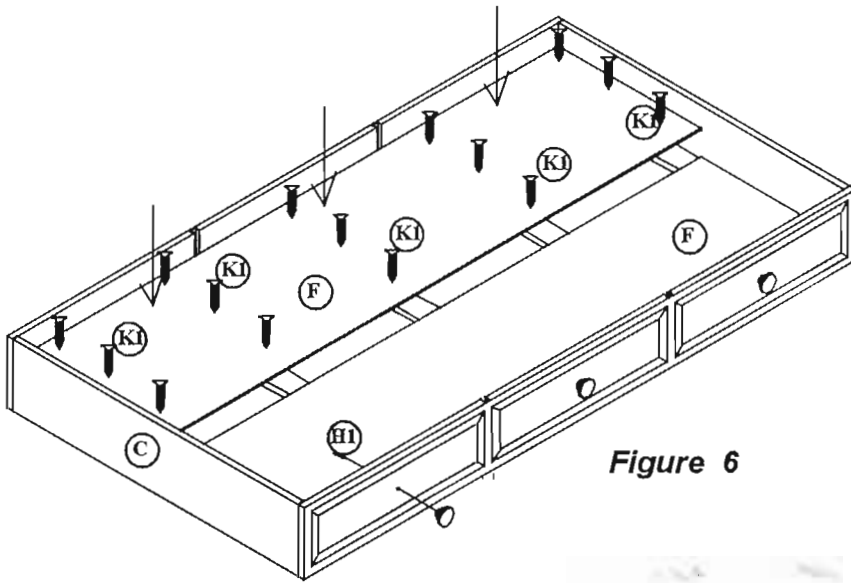


Figure 6

Note: You also have an option to screw the wood bottoms (F) down to the wood slats (E) to prevent the bottoms warping by using the screws (K1). See figure 6. There is no pre-drilled holes on the bottom boards (F) for these screws (K1).

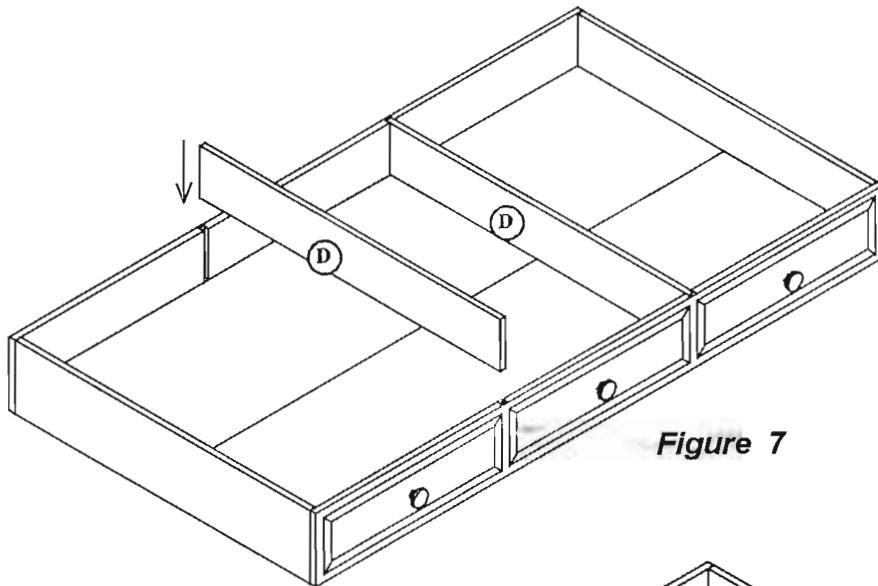


Figure 7

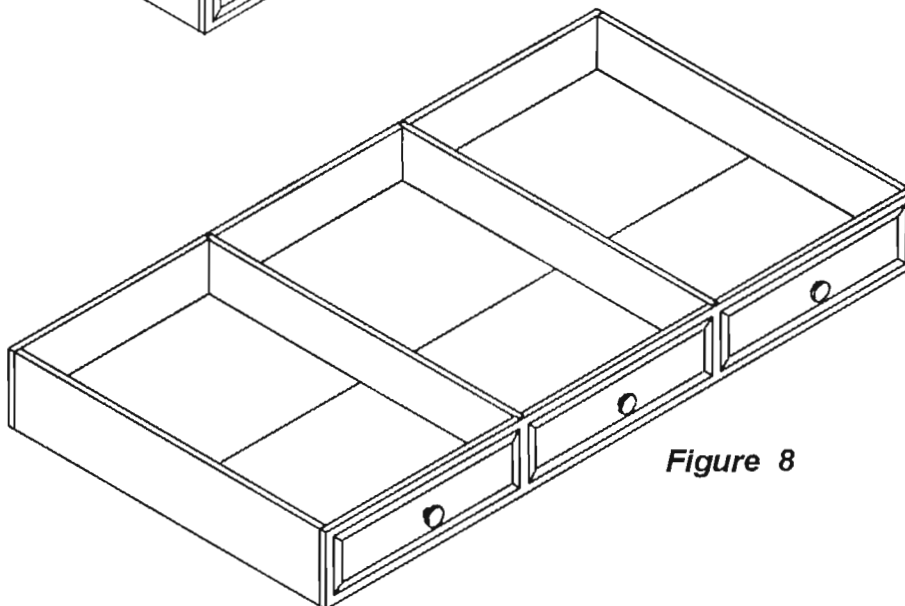


Figure 8

WARNING sharp edges and small parts maybe present prior to assembly.