

**C R I B**

ALL RIGHTS RESERVED ©2002

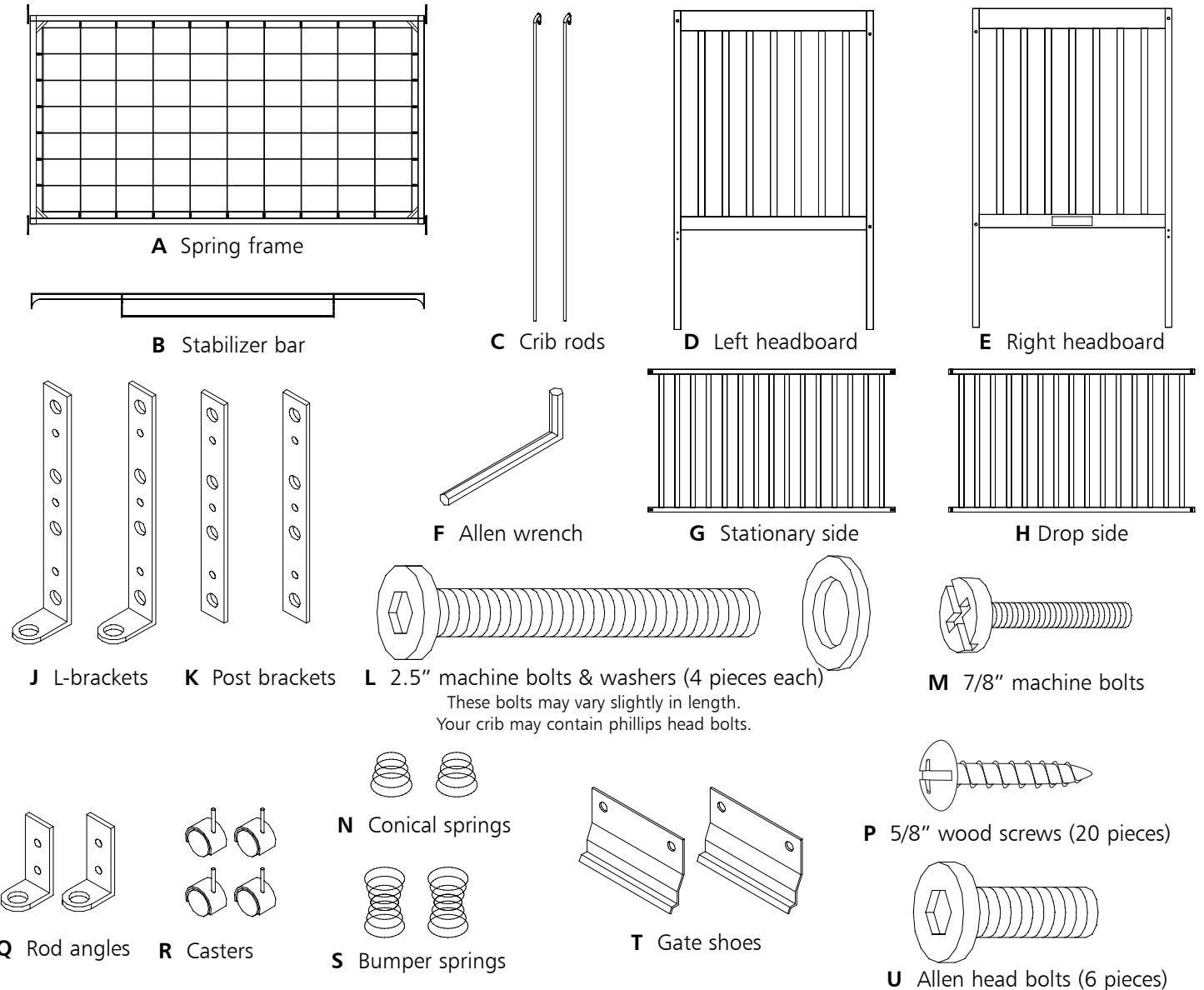
**A S S E M B L Y & O P E R A T I O N M A N U A L**

Congratulations on purchasing a Million Dollar Baby product. This crib will provide many years of service if you adhere to the following guidelines for assembly, maintenance and operation. This crib is for residential use only. Any institutional use is strictly prohibited.

Please be sure to follow the instructions for proper assembly. Use a Phillips screwdriver for assembling the crib in addition to the allen wrench included in the hardware box. Do not use power screw drivers. All of our cribs are made from natural hardwoods. Please understand that natural woods have color variations which are the result of nature and are not defects in workmanship.

**Do not substitute parts. All models have the same quantity of parts and hardware. Your model may look different from the one illustrated due to stylistic variations.**

**1** Unpack and separate all parts and different size screws. All screw holes have been pre-drilled or have metal inserts. Be sure to tighten all screws firmly. Ask your dealer or call us for replacement of missing parts if needed.



- 2** Attach a rod angle **Q** to each headboard **D** & **E** with two 5/8" wood screws **P**. Two holes have been predrilled.

**Do not overtighten the screws with electric drills. Screw head will break.**

- 3** Attach an L-bracket **J** to the same side as the rod angle **Q** on each headboard **D** & **E**. Use three 5/8" wood screws **P**.

**Be sure to use the post bracket which is "L" shaped.**

- 4** Attach the two post brackets **K** to the headboards **D** & **E**. Use three 5/8" wood screws **P** for each headboard.

- 5** Attach the stationary side **G** to one of the headboards, using two 2" machine bolts, washers **L** and the allen wrench **F**. Attach the other headboard to the stationary side in the same manner.

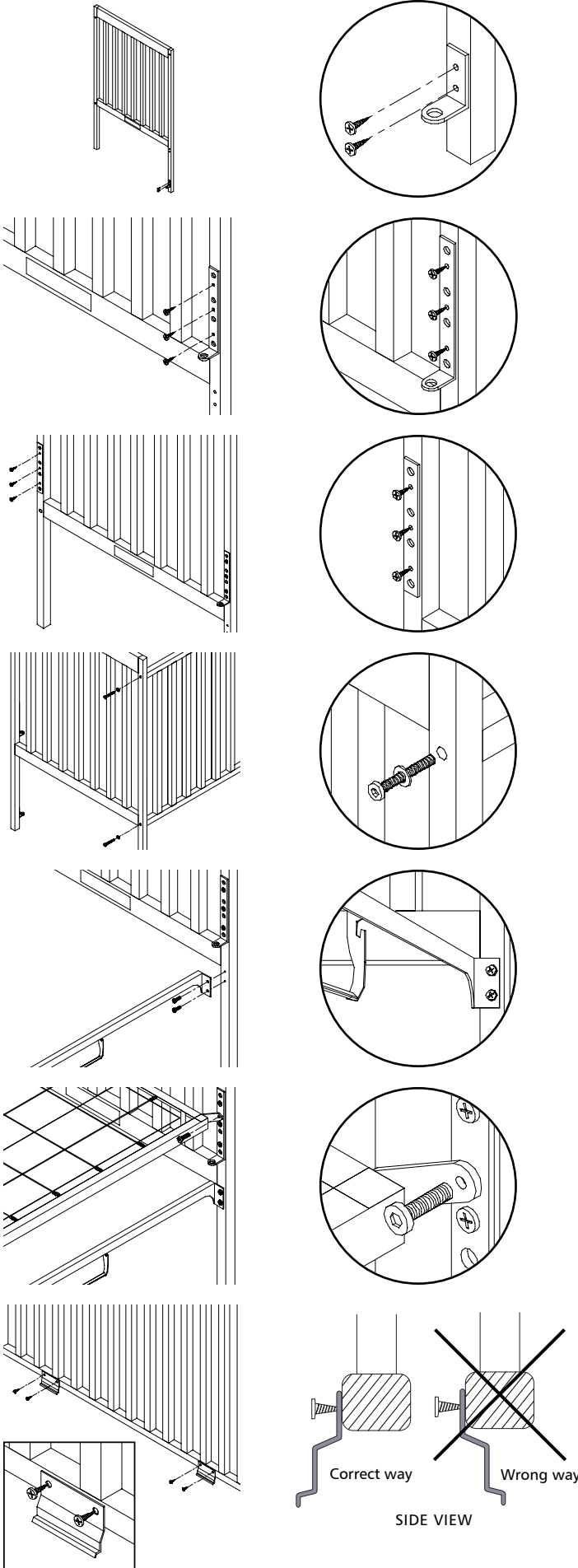
- 6** Attach the stabilizer bar **B** to the headboards **D** & **E** with four 7/8" machine bolts **M**.

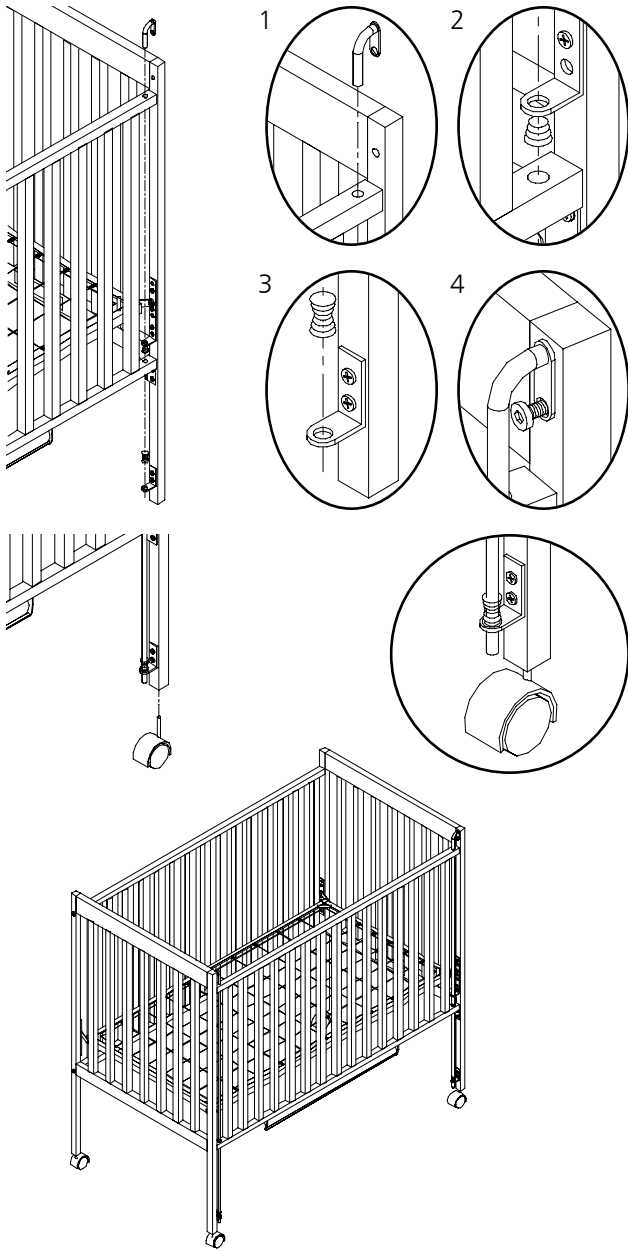
**Be sure that the stabilizer bar foot release is on the inside of the crib.**

- 7** Swing out four hangers at corner of the spring frame **A** carefully. Choose the height of the spring frame. Start at the highest level and adjust accordingly. Bolt the spring frame to the brackets using allen head bolts **U** and allen wrench **F**. As the child grows, it is important to lower the spring.

**Make sure the spring frame is level.**

- 8** Use the four 5/8" wood screws **P** to attach the two gate shoes **T** to the bottom rail of the drop side **H**. Gate shoes should bend towards the inside of the crib. The pre-marked holes are merely a guide for centering left and right, not up and down. If the stabilizer bar **B** doesn't catch, please adjust gate shoes up accordingly. You may want to drill pilot holes for the adjusted position. (Location may be 1/4"-1/2" higher than where the holes are located.)





- 9** Holding the drop side **H**, with gate shoes **T** towards the inside of the crib, insert one crib rod **C** through (in the following sequence):
1. Top rail of drop side **H**.
  2. L-bracket hole **J**; small end of conical spring **N**; bottom rail of drop side **H**.
  3. Bumper spring **S**; rod angle **Q**.
  4. Insert the allen head bolt **U** through the hole in the crib rod **C** and into the threaded metal insert in the crib top corner post. Fasten bolt firmly using the allen wrench **F**. Insert the other crib rod **C** in the same manner.

- 10** Insert casters **R** into sockets on the bottom of the corner posts and press firmly until casters snap into place. Be sure casters turn freely.

- 11** Recheck all screws and bolts to be sure they are fastened securely.

**Do not overtighten.**

- 12** Check the crib's locking mechanism for added safety.  
 To raise: pull up the drop side until the foot release is locked in position under the gate shoes. You may press down on the drop side to make sure it is locked.  
 To lower: hold the drop side up, then trip the foot release of the stabilizer bar towards the inside of the crib. The drop side will fall into the lowered position.

- 13** Before placing your mattress in the crib, you can make your own mattress protector by cutting the cardboard packing insert into a 27"x51" board and placing it on the spring frame under the mattress. This will extend the life of your mattress and provide additional support.

- 14** Please refer to the label (figure 14A to the left) on the inside face of the headboard. Record the model/item number and serial number of your crib, name of store where you made the purchase, date of purchase and wood finish on this page.



FIGURE 14A SAMPLE LABEL

Model Number:	_____
Serial Number:	_____
Store Purchased From:	_____
Date of Purchase:	_____
Wood Finish:	_____

**WE WILL ASK YOU FOR YOUR SERIAL NUMBER FOR ALL WARRANTY AND REPLACEMENT PART REQUESTS. PLEASE REFER TO THE BACK OF THIS INSTRUCTION SHEET FOR WARRANTY INFORMATION.**

**KEEP THIS MANUAL IN A SAFE PLACE FOR FUTURE REFERENCE.**

- 15** Your crib is now ready.

**WARNING:** Failure to follow these warnings and assembly instructions could result in serious injury or death.

**READ ALL INSTRUCTIONS BEFORE ASSEMBLING CRIB. KEEP THE MANUAL FOR FUTURE USE.**

• **WARNING:** Strings can cause strangulation! Do not place items with a string around a child's neck, such as hood strings or pacifier cords. Do not suspend strings over a crib or attach strings to toys.

- **DO NOT** place a crib near a window where cords from blinds or drapes may strangle a child.
- Keep wall decorations, especially those with strings, completely out of a child's reach.
- Before each usage or assembly, inspect crib for damaged hardware, loose joints, missing parts or sharp edges. **DO NOT** use the crib if any parts are missing or broken. Ask your dealer or contact manufacturer for replacement parts and instructional literature if needed. **DO NOT** substitute parts.
- Check fasteners periodically for tightness. Do not overtighten. This may cause distortion or breakage.
- After raising the moving drop side, make sure it is locked in place.
- When a child is able to climb out, reaches the height of 35 in. (90 cm) or when the height of the side rail is less than 3/4 of the child's height, the crib shall no longer be used.
- If refinishing, use a non-toxic finish specified for children's products.
- **DO NOT** leave a child in a crib with the side lowered. Be sure the moving drop side is in the raised and locked position whenever a child is in the crib.
- When a child is able to pull to a standing position, set the mattress to the lowest position and remove bumper pads, large toys and other objects that could serve as steps for climbing out.
- Never use plastic shipping bags or other plastic films as mattress covers because they can cause suffocation.
- Do not tie pacifiers, necklaces, or any other items around a child's neck or on crib parts. This could cause strangulation.
- **DO NOT** use a water mattress with this crib.
- Replace teething rail(s) if damaged or loose.
- **CAUTION:** Any mattress used in this crib must be at least 27 1/4 in by 51 5/8 in (69 cm x 131 cm) with a thickness not exceeding 6 in (15 cm).
- Use a crib as a crib, not as a play pen. Remember that a crib is not a substitute for a parent's supervision.
- Parents should ensure a safe environment for their child by checking the crib regularly before placing the child in the product. Please make sure that every component is properly and securely in place.
- When re-assembling the crib for your second child, please keep in mind that the screw holes will need to be filled in order for the screws to grip to the wood. Talk to your local hardware store or lumber yard about how to do this properly.

### Care and cleaning:

Do not scratch or chip the finish. Do not use abrasive chemicals for cleaning. Clean with mild soap on a soft rag. Rinse and dry thoroughly, and wax occasionally. If you ever refinish this furniture, be sure to use only a non-toxic finish specified for children's products.

### ONE YEAR LIMITED WARRANTY:

We will replace any missing parts at the time of purchase or any defective items within a one year period from the date of original purchase. Please keep your receipt so that we may process your warranty request. This warranty only covers new units with original packaging and ownership, and is not transferable. It does not cover any used, secondhand or demo models.

This warranty does not cover any damaged or defective parts that result from normal wear and tear, abuse, negligence, improper use or alteration to the finish, design, and hardware of the crib. The specific legal rights of this warranty may vary from state to state. Some states do not allow any exclusion or limitation of incidental or consequential damages. Some states do not allow limitation on how long an implied warranty lasts.

IF YOU WOULD LIKE TO ORDER REPLACEMENT OR MISSING PARTS PLEASE VISIT US AT:

**WWW.MILLIONDOLLARBABY.COM**

OR YOU CAN CONTACT US BY MAIL.

**MILLION DOLLAR BABY  
855 WASHINGTON BLVD.  
MONTEBELLO, CA 90640**