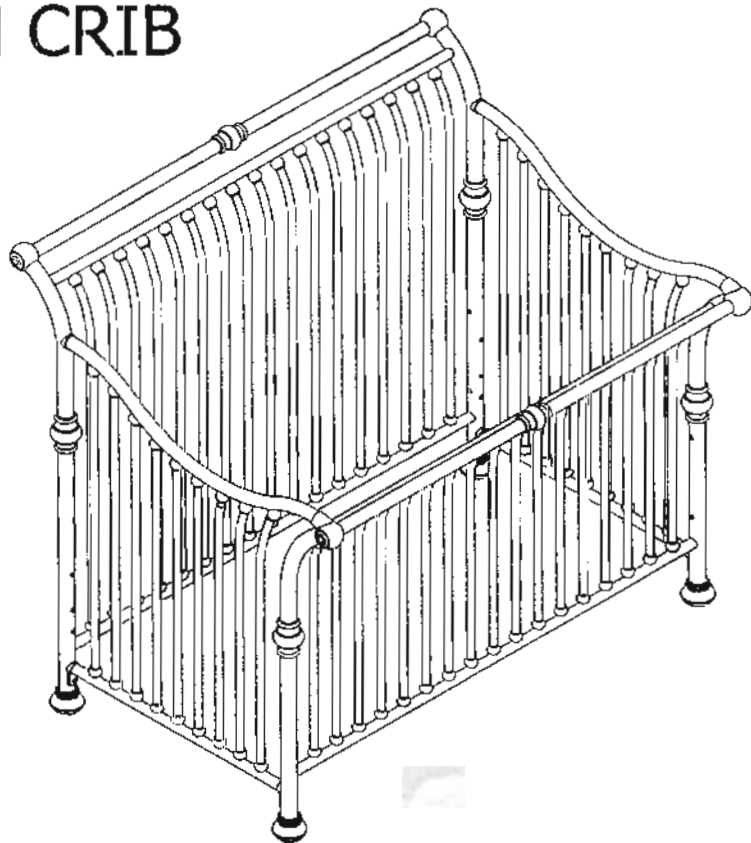


**MODEL NUMBER**  
**METAL SLEIGH CRIB**  
**(NICKEL)**

**6002-523**



Your little one will sleep secure in this Creations Crib. Proper assembly will ensure every effort has been made to design this crib with your baby's safety in mind. It is certified to meet all safety guidelines from the JPMA-Juvenile Products Manufacturers Association and the CPSC- Consumer Product Safety Commission.

Thank you for purchasing a Creations Crib. If you find that you are missing a part or if a part is defective in any way, contact your Creations retailer for assistance.

**MADE IN VIETNAM**


# "READ THIS PAGE BEFORE ASSEMBLY"

MODEL NUMBER : 6002\_523

Page 2

**FOR CRIB:  WARNING:** Failure to follow these warnings and assembly instructions could result in serious injury or death

- **CAUTION:** Any mattress in this crib must be at least 27 1 / 4 inches x 51 5 / 8 inches with a thickness not to exceed 6 inches.
- Read all instructions before assembling crib. **KEEP INSTRUCTIONS FOR FUTURE USE**
- Before each usage or assembly, inspect crib for damaged hardware, loose joints, missing parts or sharp edges. **DO NOT** use crib if any parts are missing or broken. Ask your dealer or write to Creations, 109 North 37th Ave. Phoenix, AZ85009, telephone # 800-824-2777 for replacement parts and instructional literature if needed.
- **DO NOT** substitute parts. Use only bolts or parts supplied by manufacturer **DO NOT** allow ends of screws or sharp edges to be exposed.
- When a child is able to climb out or reach a height of 35 inches (90 cm), the crib should no longer be used. The child should be placed into a toddler bed or regular bed.
- **DO NOT** place crib near window where cords from blinds or drapes may strangle a child. Strings can cause strangulation! **DO NOT** place items with a string, such as hood string or pacifier cords, around a child's neck. **DO NOT** suspend strings over crib or attach strings to toys for any reason.
- After raising a drop side or drop gate, make sure latches are secure. **DO NOT** leave a child in crib with a side lowered. Be sure side or gate is in a raised or locked position whenever child is in the crib.
- If refinishing a crib, use a non-toxic finish specified for children's products.
- When a child is able to pull to standing position, set mattress to lowest position and remove bumper pads, large toys, or other objects that could serve for climbing out.
- Never use plastic shipping bags or other plastic film as mattress covers because they can cause suffocation.
- **DO NOT** use a water mattress with this crib.
- **DO NOT** allow a child to crawl or play underneath crib.
- Crib must fully assembled prior to use and all bolts tighten securely when joining assemblies.
- Use caution when a vaporizer is in use. Aim vapor steam away from crib & other wood furniture.

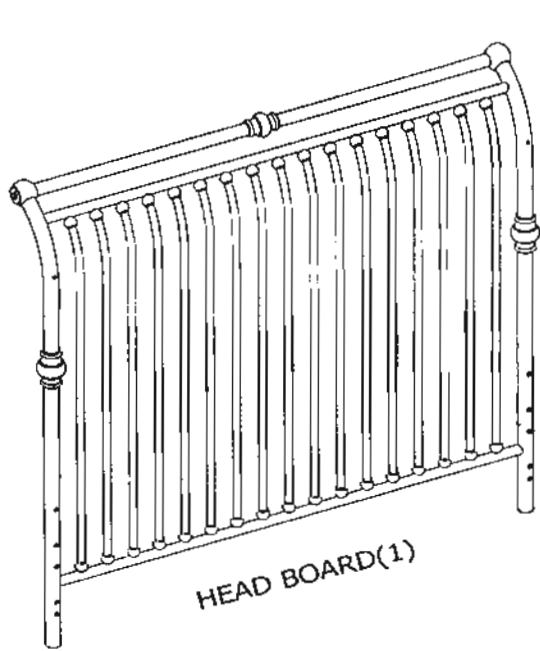
**FOR TODDLER BED:  WARNING:** Failure to follow these warnings and the assembly instructions could result in serious injury or death from entrapment or strangulation. **DO NOT** place bed near windows where cords from blinds or drapes may strangle a child.

- The mattress intended for use on this bed must have a minimum dimension of 51 5 / 8 in. length x 27 1 / 4 in. width x 6 in. thickness.
- The guardrails provided " must be used " with this bed to avoid an entrapment between bed and mattress.
- The minimum age for a child in a toddler bed should not be less than 15 months and the maximum weight of the child should not be greater than 50 lbs.

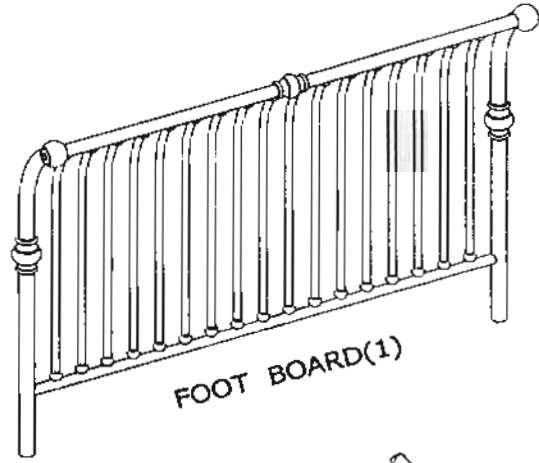
**KEEP INSTRUCTIONS FOR FUTURE USE**

### Identifying the Parts

The crib illustrations in these instructions are generic in nature. The crib you have purchased may not look like the ones illustrated, however, they all assemble in the same manner.



HEAD BOARD(1)



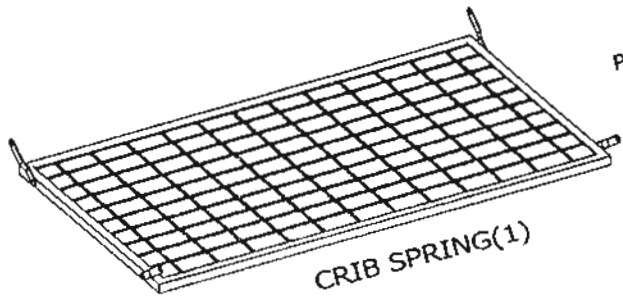
FOOT BOARD(1)



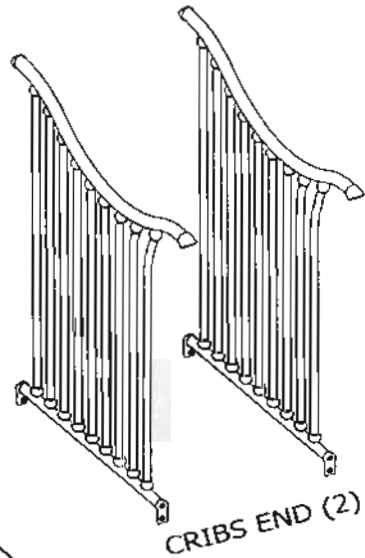
FOOT SPINING (4)



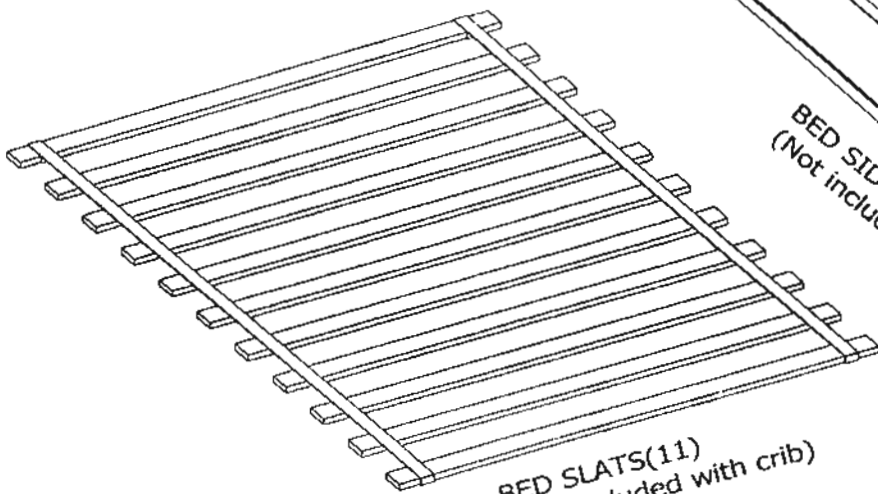
PLASTIC (4)



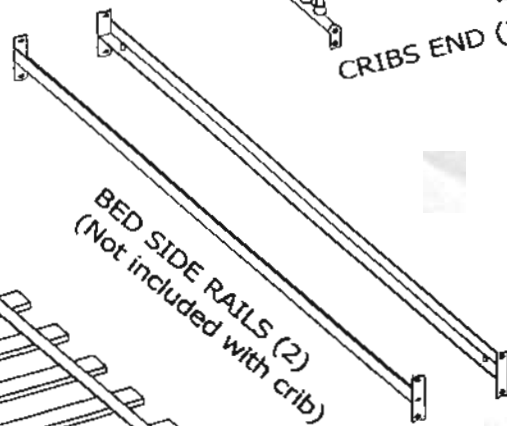
CRIB SPRING(1)



CRIBS END (2)

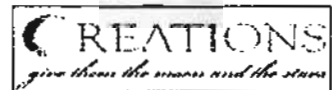


BED SLATS(11)  
(Not included with crib)




BED SIDE RAILS (2)  
(Not included with crib)


MADE IN VIETNAM

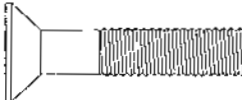


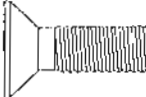
Identifying the Hardware


Identifying the hardware in the hardware bag using the illustrations below


(A) 2 Decorative bolts  
( $\frac{1}{4}$ " \* 3" thread) 

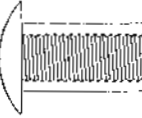
(B) 4 Decorative bolts  
( $\frac{1}{4}$ " \*  $2\frac{3}{8}$ " thread) 


(C) 2 Decorative bolts  
( $\frac{1}{4}$ " \*  $1\frac{1}{4}$ " thread) 


(D) 4 Decorative bolts  
( $\frac{1}{4}$ " \*  $\frac{3}{4}$ " thread) 

(E) 8 Decorative bolts  
( $\frac{1}{4}$ " \* 1" thread) 

(F) 4 Decorative bolts  
( $\frac{1}{4}$ " \*  $\frac{3}{4}$ " thread) 

(G) 4 Decorative bolts  
( $\frac{1}{4}$ " \*  $\frac{3}{4}$ " thread) 

(H) 12 Metal Washer  
( $\varnothing 20$  \*  $\varnothing 10$ ) 

(K) 8 Plastic Washer  
( $\varnothing 24$  \*  $\varnothing 10$ ) 

(L) 1 Allen wrench 

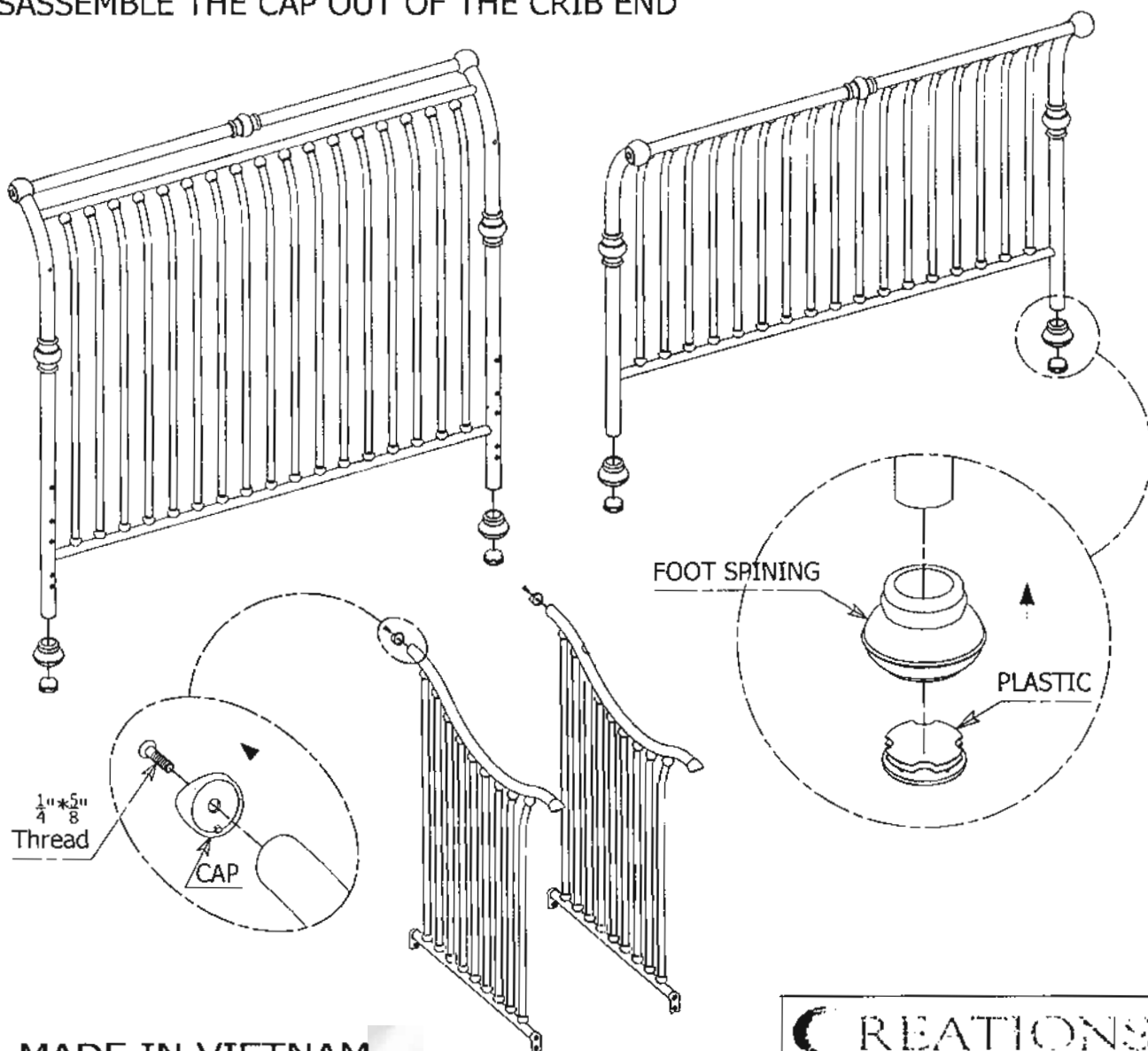
## ASSEMBLING AND OPERATING YOUR CRIB

**NOTE :** Read all instructions before assembling crib, **KEEP INSTRUCTIONS FOR FUTURE USE**

This crib conforms to JPMA-Juvenile Products Manufacturers Association and the CPSC-Consumer Product Safety Commission. Please adhere to the following guidelines for assembly, operation and maintenance.

- Power tools are not recommended for assembling your furniture.
- Give yourself plenty of room to work.
- Due to the size of this bed, it must be assembled within the space it will occupy.
- The assembly will require at least two people to complete.
- Make sure all fasteners are tight.
- Above all, take your time and read the instructions carefully.

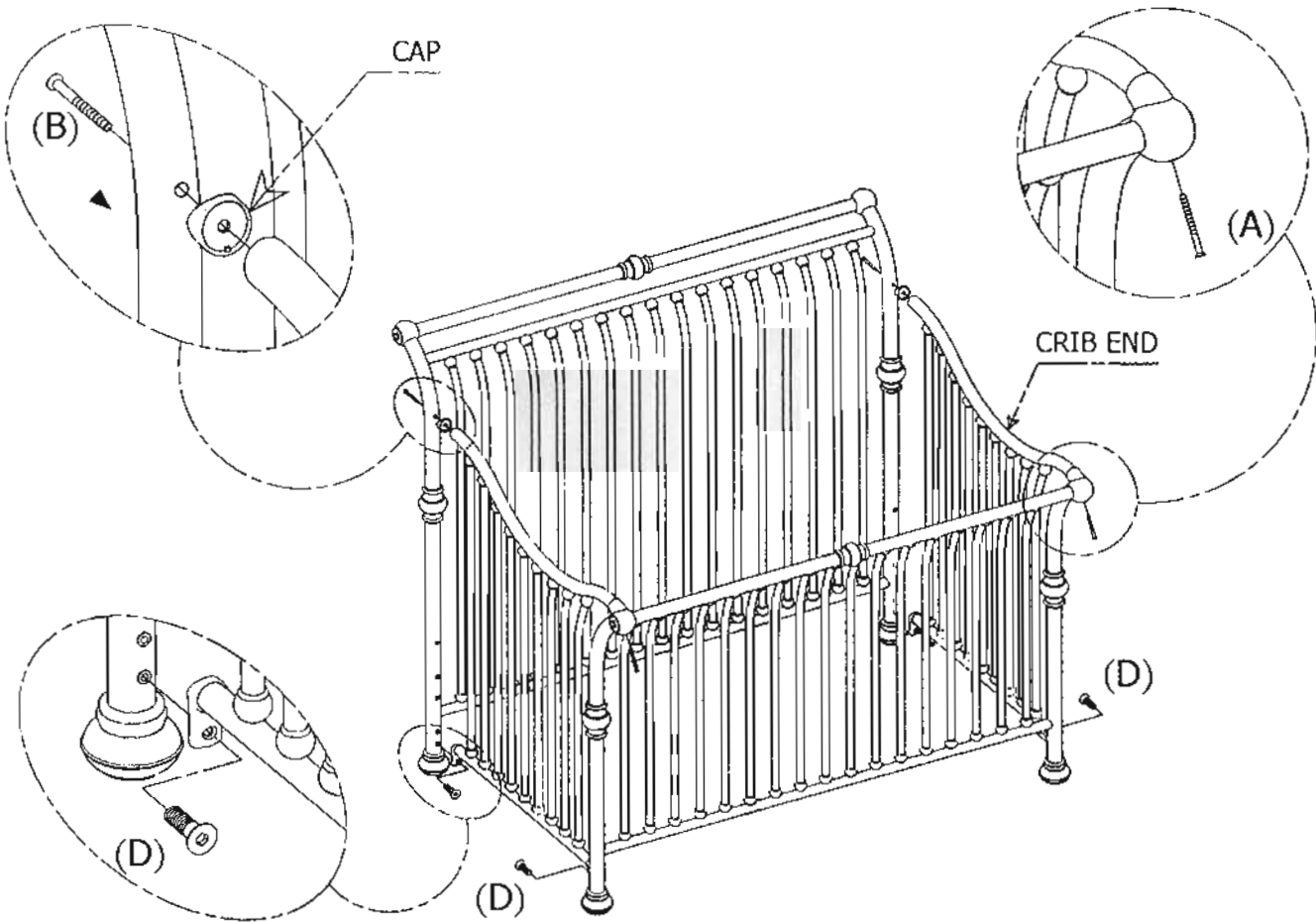
### STEP 1: ASSEMBLE HEADBOARD, FOOTBOARD WITH FOOT SPINNING, PLASTIC DISASSEMBLE THE CAP OUT OF THE CRIB END



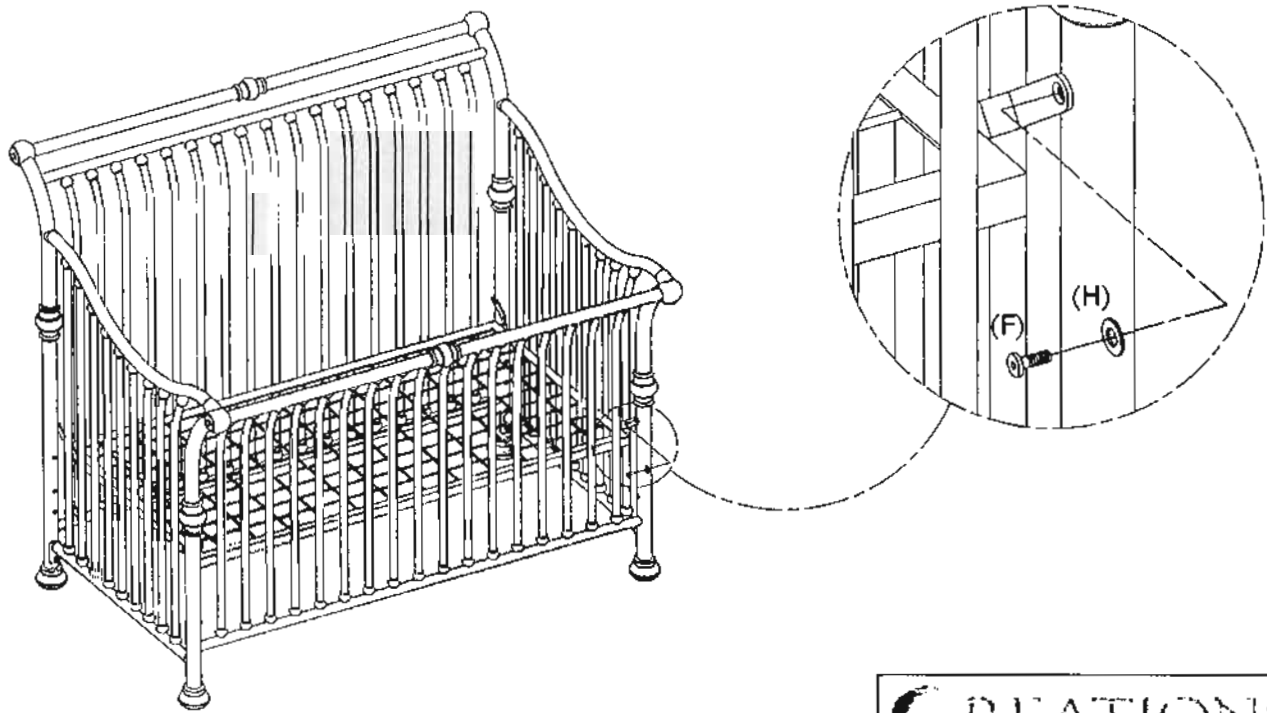
MADE IN VIETNAM

**CREATIONS**  
*give them the moon and the stars*

STEP 2: ASSEMBLE HEADBOARD, FOOTBOARD WITH TWO CRIB ENDS



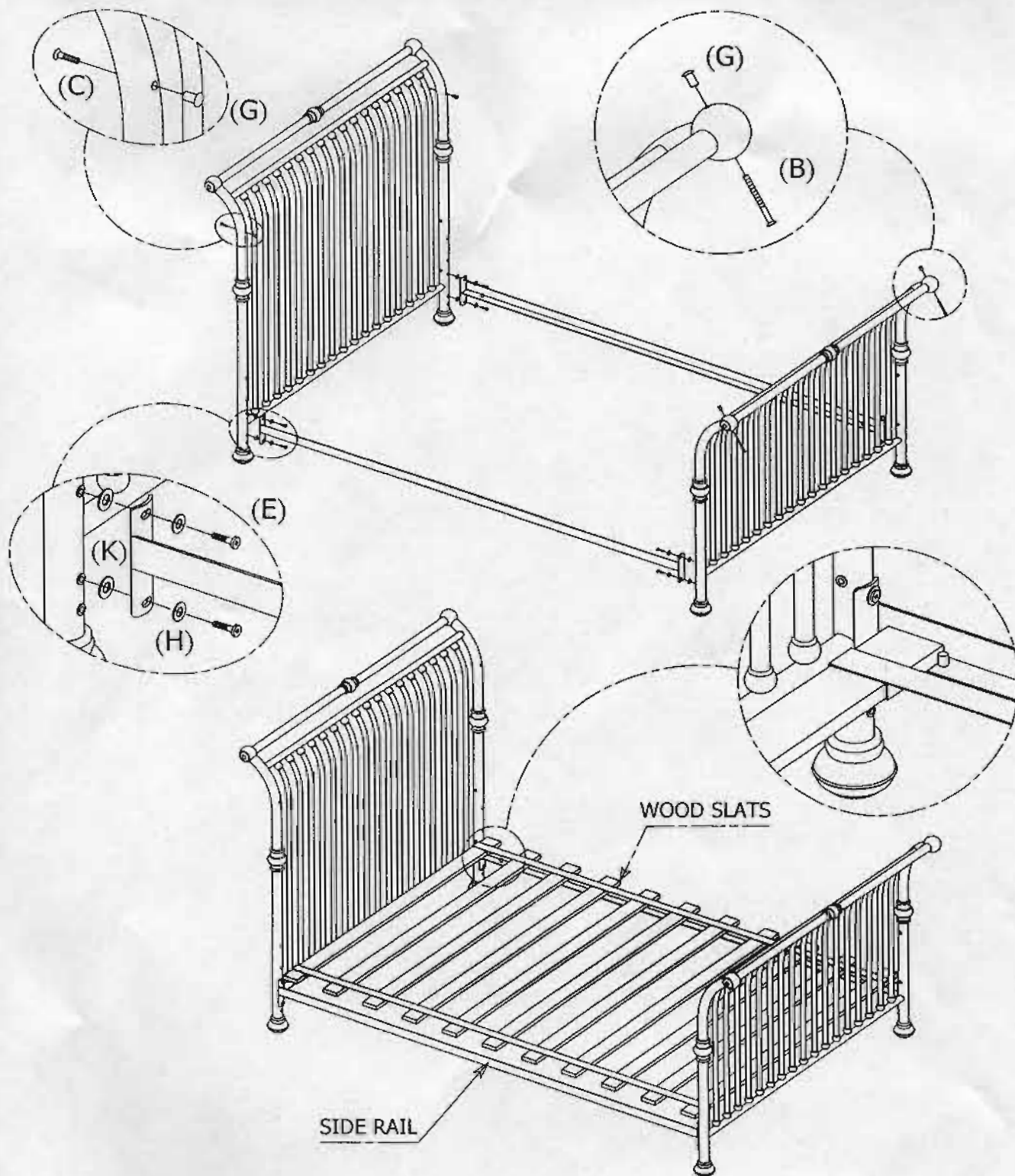
STEP 3: ASSEMBLE CRIB SPRING



MADE IN VIETNAM



INSTRUCTION FOR CONVERSION TO FULL SIZE (4/6) BED



MADE IN VIETNAM

**CREATIONS**  
*give them the moon and the stars*

**CLEANING:**

Mix together a mild solution of gentle dishwashing liquid and water; apply to crib surface using a soft clean cloth lightly dampened in the solution. Rinse with clear water again using a soft clean cloth, then dry all surface thoroughly with a soft dry cloth. **NO ABRASIVE CLEANERS, SCOURING PADS, STEEL WOOL, OR COARSE RAGS SHOULD BE USE TO CLEAN THIS FINE FURNITURE.**

Never leave glasses with water, ice or any liquid in contact with the wood surfaces as this can damage the wood components.

**PERIODIC MAINTENANCE:**

1. Periodically check to make certain all bolts are fastened securely
2. Check frequently that crib spring brackets are attached to the crib posts.
3. If you are missing a part or need a replacement part, do not use substitute parts. Ask you dealer for replacement parts or contact Customer Service at (800) 824 2777.
4. The spring adjustment bracket allow for the mattress to be lowered as your child grows. when your child reaches a height of 35 inches, or can climb out of crib, you should place the child in a youth or regular bed.
5. Save this instructions sheet in the event you disassemble the crib and need to reassemble it. This instruction sheet will also be useful in identifying replacement parts if needed at a future date.
6. When storing your crib after disassembly, Place in a dry, moisture free environment such as an attic or basement. Keep away from water and vents from air conditioning and heaters. If possible, wrap with blankets to prevent any damage to the wood frames. Make sure all hardware and instruction sheets are kept with the crib while in storage

MADE IN VIETNAM

