

CREATIONS

give them the moon and the stars

MODEL NUMBER

APRIL

6055-522

6056-522



Your little one will sleep secure in this Creations Crib. Proper assembly will ensure every effort has been made to design this crib with your baby's safety in mind. It is certified to meet all safety guidelines from the JPMA-Juvenile Products Manufacturers Association and the CPSC- Consumer Product Safety Commission.

Thank you for purchasing a Creations Crib. If you find that you are missing a part or if a part is defective in any way, contact your Creations retailer for assistance.

FOR CRIB: ⚠ WARNING: Failure to follow these warnings and assembly instructions could result in serious injury or death.

- CAUTION: Any mattress in this crib must be at least 27 1/4 inches x 51 5/8 inches with a thickness not to exceed 6 inches.
- Read all instructions before assembling crib. KEEP INSTRUCTIONS FOR FUTURE USE
- Before each usage or assembly, inspect crib for damaged hardware, loose joints, missing parts or sharp edges. DO NOT use crib if any parts are missing or broken. Ask your dealer or write to Creations, 109 North 37th Ave., Phoenix, AZ 85009, telephone # 602-352-6906 for replacement parts and instructional literature if needed.
- DO NOT substitute parts. Use only bolts or parts supplied by manufacturer or parts of comparable quality and equal dimensions. DO NOT allow ends of screws or sharp edges to be exposed.
- When a child is able to climb out or reaches a height of 35 inches(90 cm), the crib should no longer be used. The child should be placed into a toddler bed or regular bed.
- DO NOT place crib near window where cords from blinds or drapes may strangle a child. Strings can cause strangulation. DO NOT place items with a string, such as hood string or pacifier cords, around a child's neck. DO NOT suspend strings over crib or attach strings to toys for any reason.
- After raising a drop side or drop gate, make sure latches are secure. DO NOT leave a child in crib with a side lowered. Be sure side or gate is in a raised or locked position whenever child is in the crib.
- If refinishing a crib, use a non-toxic finish specified for children's products.
- When a child is able to pull to standing position, set mattress to lowest position and remove bumper pads, large toys, or other objects that could serve for climbing out.
- Never use plastic shipping bags or other plastic film as mattress covers because they can cause suffocation.
- DO NOT use a water mattress with this crib.
- DO NOT allow a child to crawl or play underneath crib
- Crib must fully assembled prior to use and all bolts tighten securely when joining assemblies.
- Use caution when a vaporizer is in use. Aim vapor steam away from crib & other wood furniture.

FOR TODDLER BED: ⚠ WARNING:

Failure to follow these warnings and the assembly instructions could result in serious injury or death from entrapment or strangulation.

DO NOT place bed near windows where cords from blinds or drapes may strangle a child.

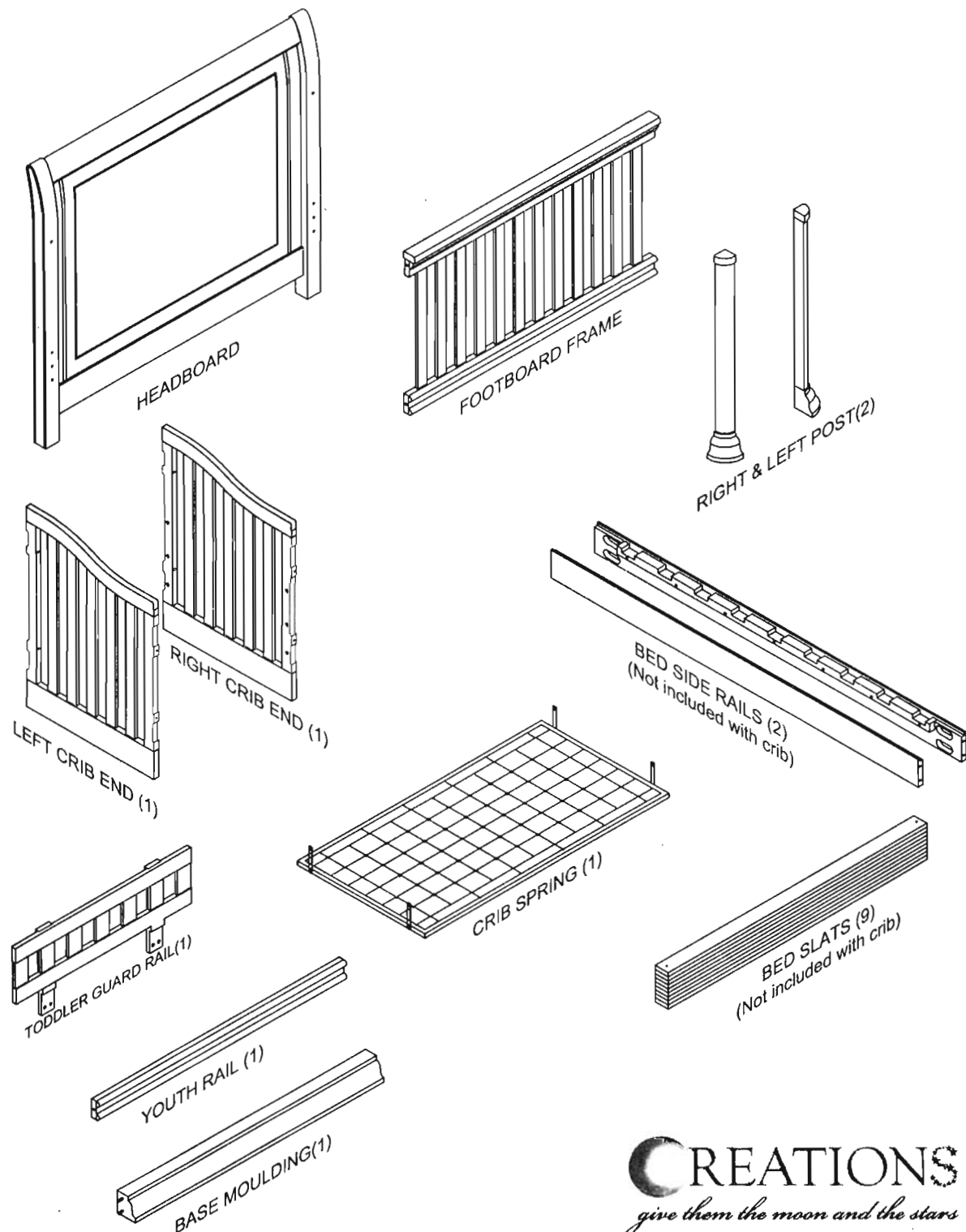
- The mattress intended for use on this bed must have a minimum dimension of 51 5/8 in. length x 27 1/4 in. width x 6 in. thickness.
- The guardrails provided "must be used" with this bed to avoid an entrapment between bed and mattress.
- The minimum age for a child in a toddler bed should not be less than 15 months and the maximum weight of the child should not be greater than 50 lbs.

KEEP INSTRUCTIONS FOR FUTURE USE

CREATIONS
give them the moon and the stars

Identifying the Parts

The crib illustrations in these instructions are generic in nature. The crib you have purchased may not look like the ones illustrated; however, they all assemble in the same manner



CREATIONS
give them the moon and the stars

Identifying the Hardware

Identify the hardware included in the hardware bag using the illustrations below

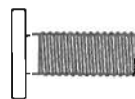
14 Decorative bolts
2 $\frac{3}{4}$ " ($\frac{1}{4}$ "x 20 thread)



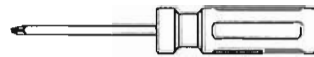
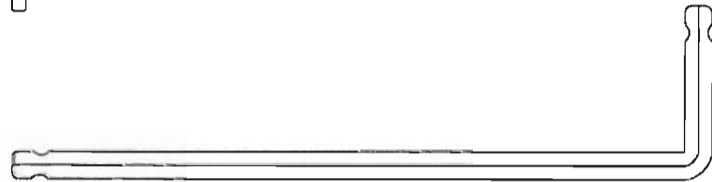
4 Decorative bolts
1 $\frac{1}{4}$ " ($\frac{1}{4}$ "x 20 thread)



4 Decorative bolts
 $\frac{5}{8}$ " ($\frac{1}{4}$ "x 20 thread)



1 Allen wrench



Tools Required

ASSEMBLING AND OPERATING YOUR CRIB

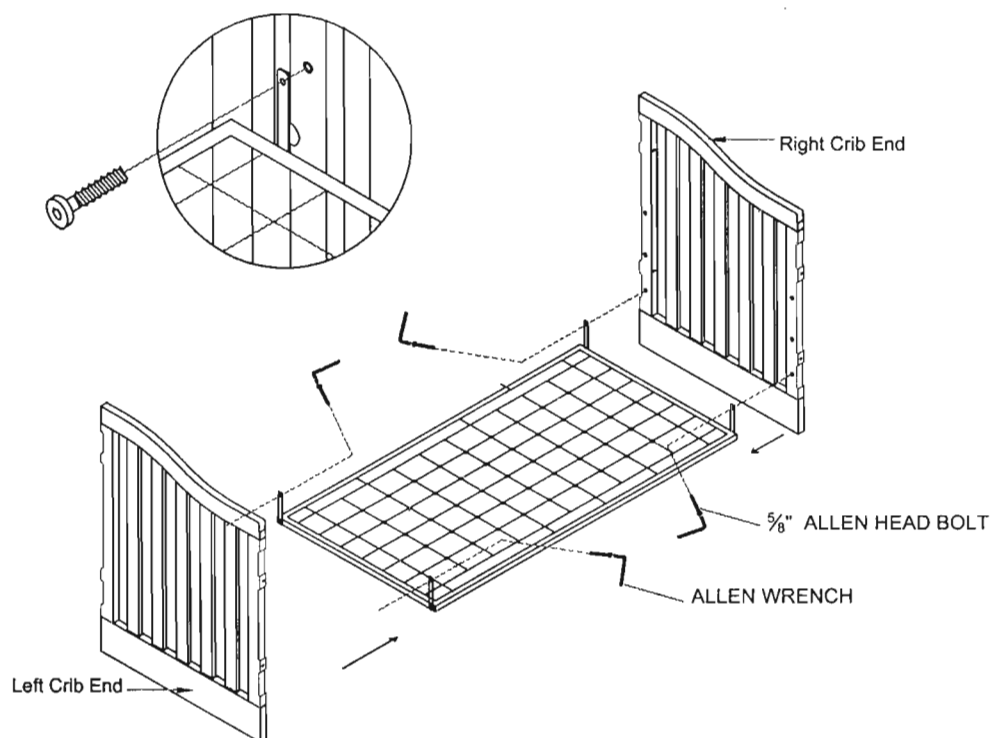
NOTE: Read all instructions before assembling crib. KEEP INSTRUCTIONS FOR FUTURE REFERENCE.

This crib conforms to JPMA-Juvenile Products Manufacturers Association and the CPSC-Consumer Product Safety Commission. Please adhere to the following guidelines for assembly, operation and maintenance.

- Power tools are not recommended for assembling your furniture.
- Give yourself plenty of room to work.
- Due to the size of this bed, it must be assembled within the space it will occupy.
- The assembly will require at least two people to complete.
- Make sure all fasteners are tight.
- Above all, take your time and read the instructions carefully.

Step 1: Attach Left and Right Crib Ends to Crib Spring:

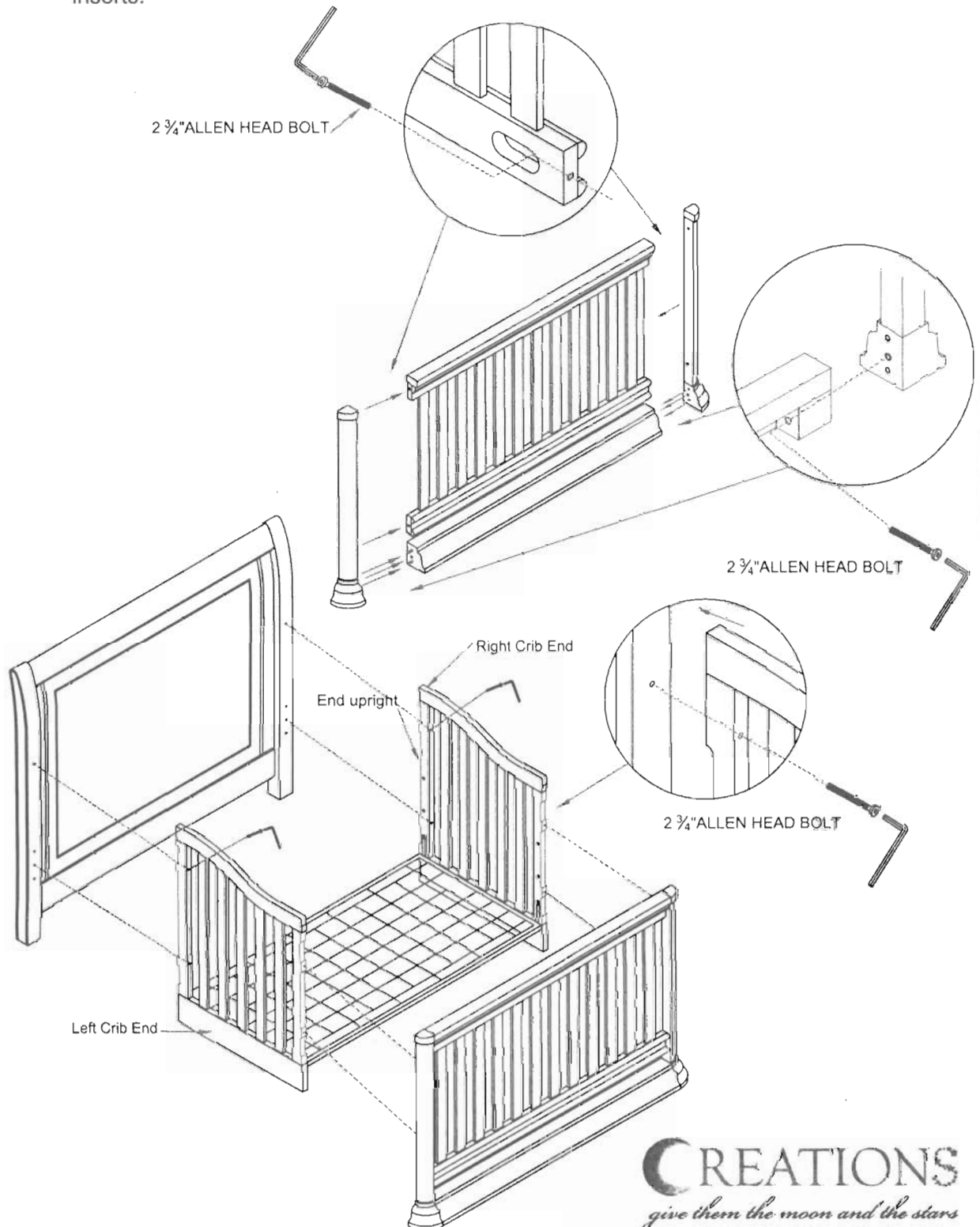
- Select four (4) each $\frac{5}{8}$ " bolts . Apply bolts thru the 4 upright brackets of the spring. Using allen wrench, tighten bolts into the inserts located on the inside of the End Frames. Attach the spring to the upper inserts for new born baby where spring is in highest position.



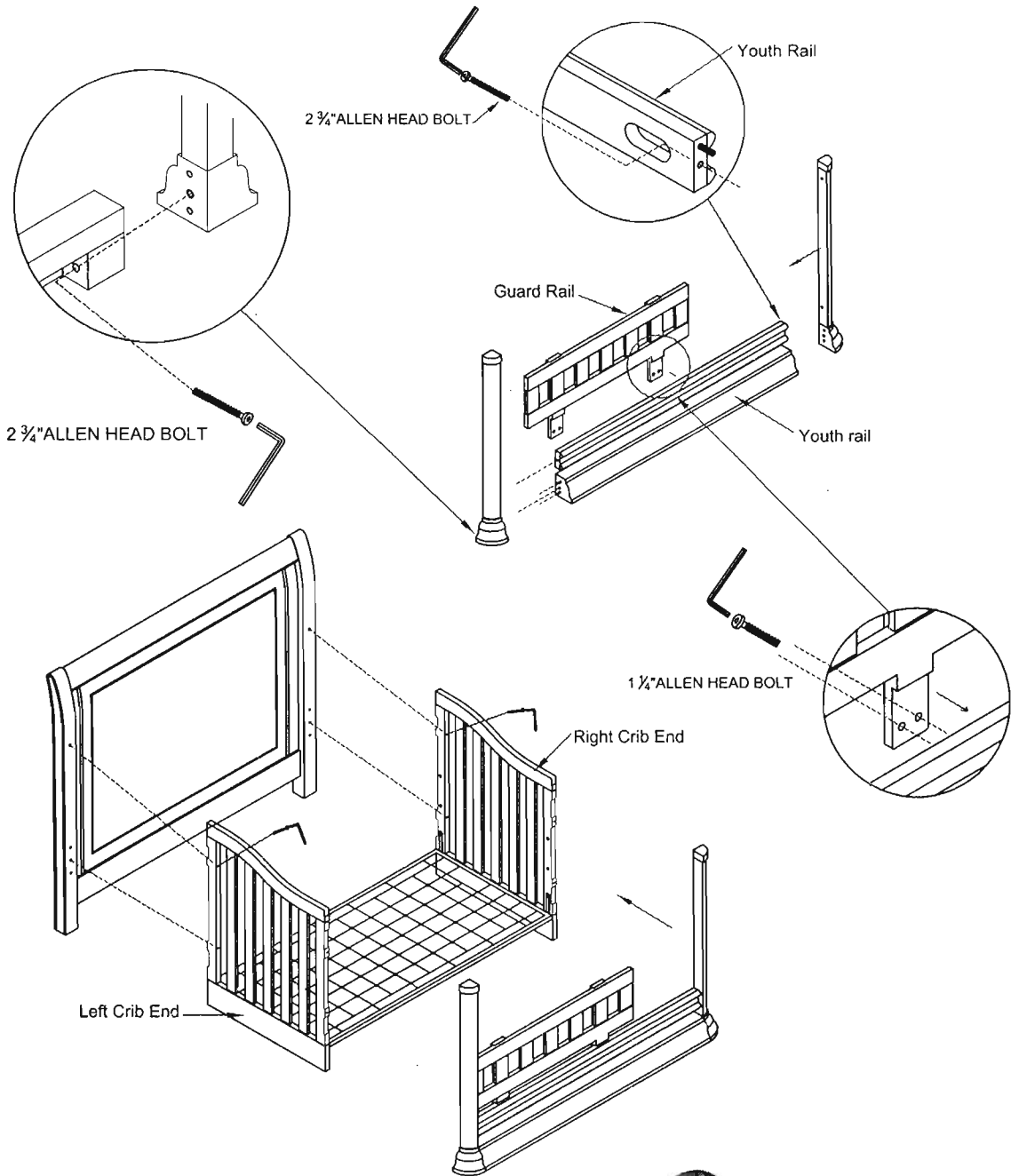
CREATIONS
give them the moon and the stars

Step 2: Assemble Footboard then Assemble Crib:

- Use six (6) each 2 3/4" bolts to assemble footboard to left and right posts. Tighten snugly with allen wrench. To attach the end and spring assembly to the head and footboard, use eight (8) each 2 3/4" bolts thru the holes in the end uprights and tighten snugly into the inserts.

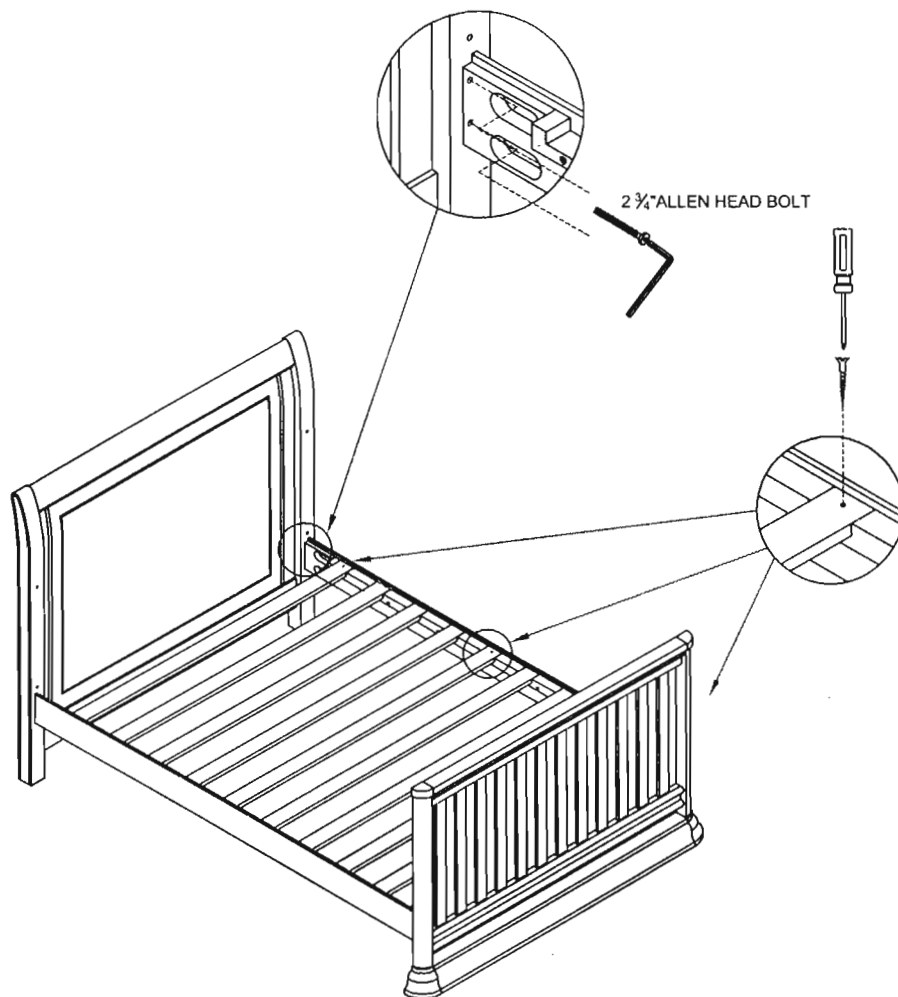


- To **CONVERT** to Day bed with spring in lowest position:
 Remove front frame from front posts. Keep base moulding in same position. Attach Guard Rail to Youth Rail with four (4) each 1 1/4" hex head bolts. Select guard rail for left or right position (your decision). Once Guard Rail is attached to Youth Rail bolt this assembly to the inserts on the bottom of the front posts with four (4) each 2 3/4" bolts. Notes: The front two brackets of the spring may need to be dropped down in a temporary out of way position by removing the spring bolts. Reconnect the spring once the Youth/ Guard Rail is in position.



INSTRUCTION FOR CONVERSION TO FULL SIZE (4/6) BED

Make certain that all of the Footboard parts are fully assembled. There are two positions for the bed rails: an upper position and lower position. We recommend starting at the lower position. Use eight (8) each $2\frac{3}{4}$ " bolts to connect the bed rails to the head and foot board. Once the bed rails are connected, lay nine (9) slats into the notched cleats as noted below. Run 2 screws into each of the 2 end slats and middle slats. The bed is now ready for a mattress and for use.



CREATIONS
give them the moon and the stars

CLEANING:

Mix together a mild solution of gentle dishwashing liquid and water; apply to crib surface using a soft clean clothe lightly dampened in the solution. Rinse with clear water again using a soft clean cloth, then dry all surface thoroughly with a soft dry cloth. **NO ABRASIVE CLEANERS, SCOURING PADS, STEEL WOOL, OR COARSE RAGS SHOULD BE USE TO CLEAN THIS FINE FURNITURE.** Never leave glasses with water, ice or any liquid in contact with the wood surfaces as this can damage the wood components.

PERIODIC MAINTAINANCE:

1. Periodically check to make certain all bolts are fastened securely.
2. Check frequently that crib spring brackets are attached to the crib posts.
3. If you are missing a part or need a replacement part, do not use substitute parts. Ask you dealer for replacement parts or contact Customer Service at (602) 352 3980.
4. The spring adjustment bracket allow for the mattress to be lowered as your child grows. When your child reaches a height of 35 inches, or can climb out of crib, you should place the child in a youth or regular bed.
5. Save this instructions sheet in the event you disassemble the crib and need to reassemble it. This instruction sheet will also be useful in identifying replacement parts if needed at a future date.
6. When storing your crib after disassembly, Place in a dry, moisture free environment such as an attic or basement . Keep away from water and vents from air conditioning and heaters. If possible, wrap with blankets to prevent any damage to the wood frames. Make sure all hardware and instruction sheets are kept with the crib while in storage.

CREATIONS
give them the moon and the stars

give them the moon and the stars™

Limited Lifetime Warranty

Creations warrants original purchases against manufacturing defects in all crib hardware, joints, bolts, and mechanical devices for 15 years from the date of purchase, or usage by up to three children, whichever occurs first. During this period, we will repair or replace such defective parts free of charge.

We warrant that wood parts will be free of defects in workmanship and materials for one year from the date of original purchase. Defective wood parts or products will be repaired or replaced at our option. If a replacement is necessary and your product is no longer available, a comparable product will be substituted.

All warranty and after-sales service issues are handled through your authorized Creations dealer.

Creations furniture is made of first quality furniture-grade wood solids and veneers. Naturally occurring marks and figurings are part of the beauty of real wood.

REGISTRATION CARD

RETURN IMMEDIATELY!

PLEASE RETURN ONLY ONE CARD PER SET PURCHASED

Name _____

Address _____

Telephone _____

City _____

State _____

Zip Code _____

E-mail Address _____

Date Purchased _____

Name of Store _____

(Please keep proof of purchase)

<u>Piece</u>	<u>Model #</u>	<u>Series</u>	<u>Color</u>
Crib/Bed	_____	_____	_____
Dresser	_____	_____	_____
Mirror	_____	_____	_____
3-Drawer Chest	_____	_____	_____
4-Drawer Chest	_____	_____	_____
5-Drawer Chest	_____	_____	_____
Nightstand	_____	_____	_____
Combo Dresser	_____	_____	_____
Combo Dresser Hutch	_____	_____	_____
Armoire	_____	_____	_____

Mail To:

Creations

109 N. 37th Ave

Phoenix, AZ 85009

E-mail:

warranty@creationsbaby.com

Or visit our Website:

www.creationsbaby.com